

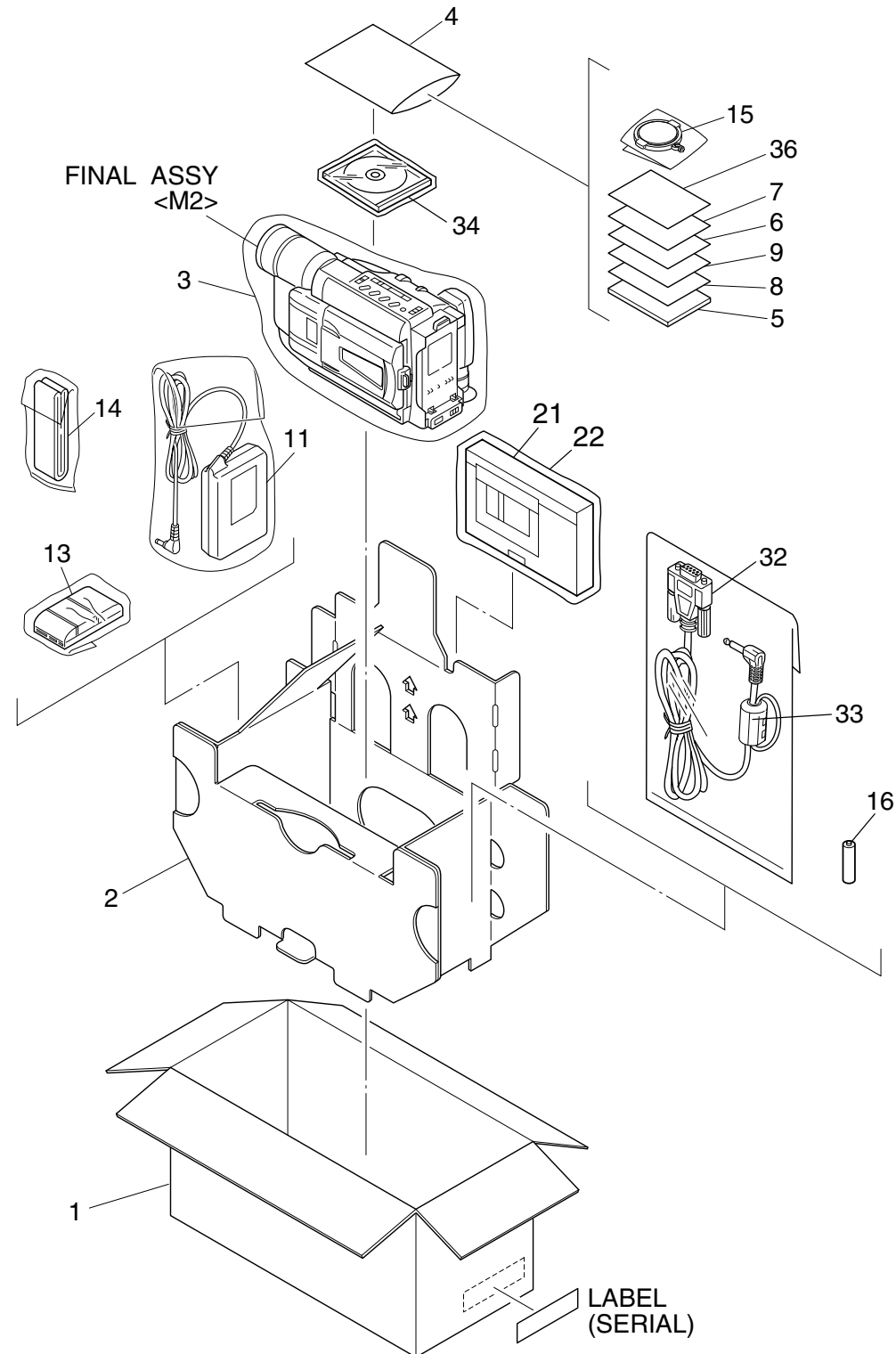
SECTION 5 PARTS LIST

SAFETY PRECAUTION

Parts identified by the  symbol are critical for safety. Replace only with specified part numbers.





5.1 PACKING AND ACCESSORY ASSEMBLY <M1>

The instruction manual to be provided with this product will differ according to the destination.



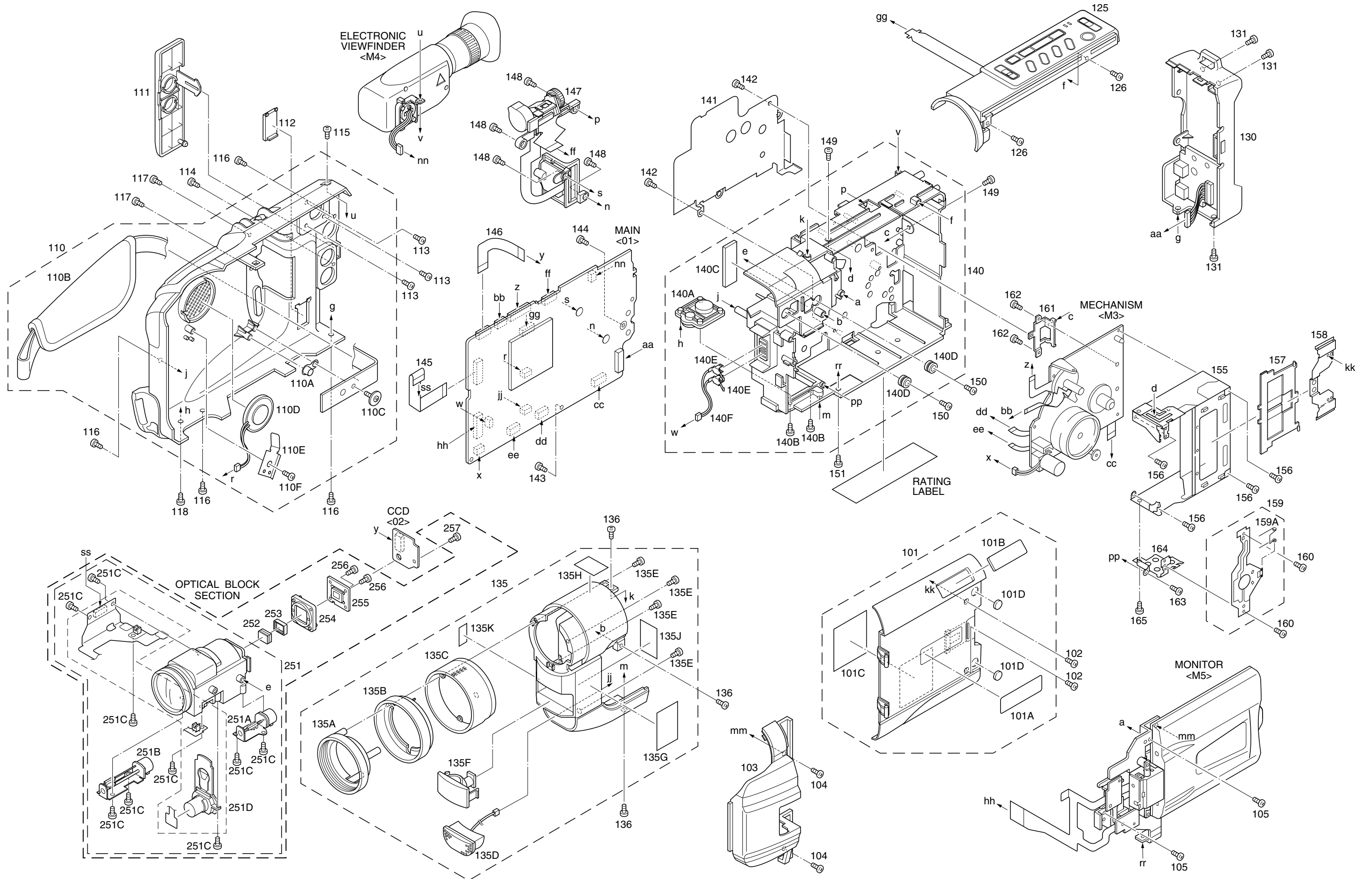
 REF No. PART No. PART NAME, DESCRIPTION

PACKING AND ACCESSORY ASSEMBLY <M1>

1	LY32545-001B	PACKING CASE,SXM340U
	LY32545-006B	PACKING CASE,SXM740U
2	LY32553-001A	CUSHION
3	LY30023-002A	POLY BAG
4	QPA02003506	POLY BAG
	LYT0880-001B	INST.BOOK(EN)
6	BT-51028-1	REGIST.CARD
7	BT-51005-5	WARRANTY INF.
	LYT0862-001A	INST.BOOK(SOFT.EN)
9	LYT0934-001A	SHEET(AGREMENT)
	LY20848-001B	AC ADAPTER,AP-V12U
	YQ10629A	BATTERY PACK ASSY,BN-V11U
14	LY20186-001A	SHOULDER STRAP
15	LY43388-001A	LENS CAP
16	-	BATTERY,AA(R6)
21	YQ31963B-3	CASSETTE ADAPTER,C-P7U
22	YQ43446	POLY BAG
32	QAM0384-001	PC CONNECTION CABLE
33	QQR1266-001	CORE FILTER
34	LY32210-020B	CD ROM ASSY
36	LYT0974-001A	SHEET(ATT.)

• INSTRUCTIONS
EN..... ENGLISH

5.2 FINAL ASSEMBLY <M2>



#	△ REF No.	PART No.	PART NAME, DESCRIPTION

FINAL ASSEMBLY <M2>			
		101	LY20694-012A CASSETTE COVER(M)ASSY,SXM340U
			LY20815-001A CASSETTE COVER(M)ASSY,SXM740U
		101A	LY40075-004A LABEL/CAUTION
		101B	LY42883-001A MARK
		101C	LY40559-001A SHIELD SHEET
		101D	LY40076-001A SPACER,X2
		102	QYSLSP2030D SCREW,X2
		103	LY10257-054A UPPER CASE(M),SXM340U
			LY10257-056A UPPER CASE(M),SXM740U
		104	QYSLSP2030D SCREW,X2
		105	QYSLSF2060D SCREW,X2
		110	LY20684-023A LOWER CASE ASSY
		110A	LY40081-001A CAP
		110B	LY20682-001A GRIP BELT
		110C	LY30018-003A SPECIAL SCREW
		110D	QAS0061-001 SPEAKER
		110E	LY42764-001B HOLDER(SPEAKER)
		110F	QYSLSF2050Z SCREW
		111	LY31945-003A COVER(JACK)
		112	LY31946-001A COVER(JIG)
		113	QYSLSF2050Z SCREW,X3
		114	QYSLSF2060D SCREW
		115	QYSLSF2060D SCREW
		116	QYSLSF2060D SCREW,X4
		117	QYSLSF2060D SCREW,X2
		118	QYSLSF2060D SCREW
		125	LY20614-009C TOP OPE UNIT,SXM740U
			LY20614-012C TOP OPE UNIT,SXM340U
		126	QYSLSF2060D SCREW,X2
		130	LY20615-007B REAR UNIT,SXM340U
			LY20764-010A REAR UNIT,SXM740U
		131	QYSLSF2060D SCREW,X3
		135	LY20683-035A FRONT COVER ASSY,SXM740U
			LY20683-036A FRONT COVER ASSY,SXM340U
		135A	LY31937-001A HOOD
		135B	LY31938-001A COVER(HOOD)
		135C	LY31936-001A RING
		135D	LY32482-001A MICROPHONE
		135E	QYSLSF2060D SCREW,X4
		135F	LY32040-001A DC LIGHT
		135G	LY32058-002A STICKER(A),SXM340U
			LY32058-003A STICKER(A),SXM740U
		135H	LY32060-003A STICKER(C)
		135J	LY30029-0B4A SPACER(A)
△		135K	YQ44341-6 CAUTION LABEL
		136	QYSLSF2060D SCREW,X3
		140	LY20832-001B FRAME ASSY
		140A	YQ31843 BASE
		140B	QYSLSF2060D SCREW,X2
		140C	LY30029-0A4A SPACER(A)
		140D	LY41082-001A CUSHION(OP),X2
		140E	YQ43810-1-1 CONTACT(LIGHT),X2
		140F	WJM0259-001A E-SI C WIRE C-F,FRAME-MAIN CN6
		141	LY32327-001A SHIELD CASE(MAIN)
		142	QYSPSPU1720Z SCREW,X2
		143	QYSLSF2060D SCREW
		144	QYSLSF2060D SCREW
		145	WJT0072-001A E-CARD WIRE,OP-MAIN CN15
		146	QAL0389-001 FPC,MAIN CN22-CCD CN5301
		147	LY20613-001B ZOOM UNIT
		148	QYSLSF2060D SCREW,X4

#	△ REF No.	PART No.	PART NAME, DESCRIPTION
		149	LY41173-001A SPECIAL SCREW,X2
		150	LY30018-050A SPECIAL SCREW,X2
		151	QYSLSP2030D SCREW
		155	LY31808-001C CASSETTE HOUSING FINAL ASSY
		156	LY42722-003A SCREW,X4
		157	LY30176-001A CASSETTE COVER INSIDE
		158	LY31956-001A BRACKET(CASSETTE COVER)
		159	LY31790-001A FRONT FRAME ASSY
		159A	YQ44144-1-1 TAPE GUIDE
		160	SPSH1725M SCREW,X2
		161	LY32326-001A BRACKET(MECHA)
		162	LY42722-003A SCREW,X2
		163	QYSLSF1750D SCREW
		164	LY31807-001A SIDE BRACKET L
		165	LY42722-003A SCREW

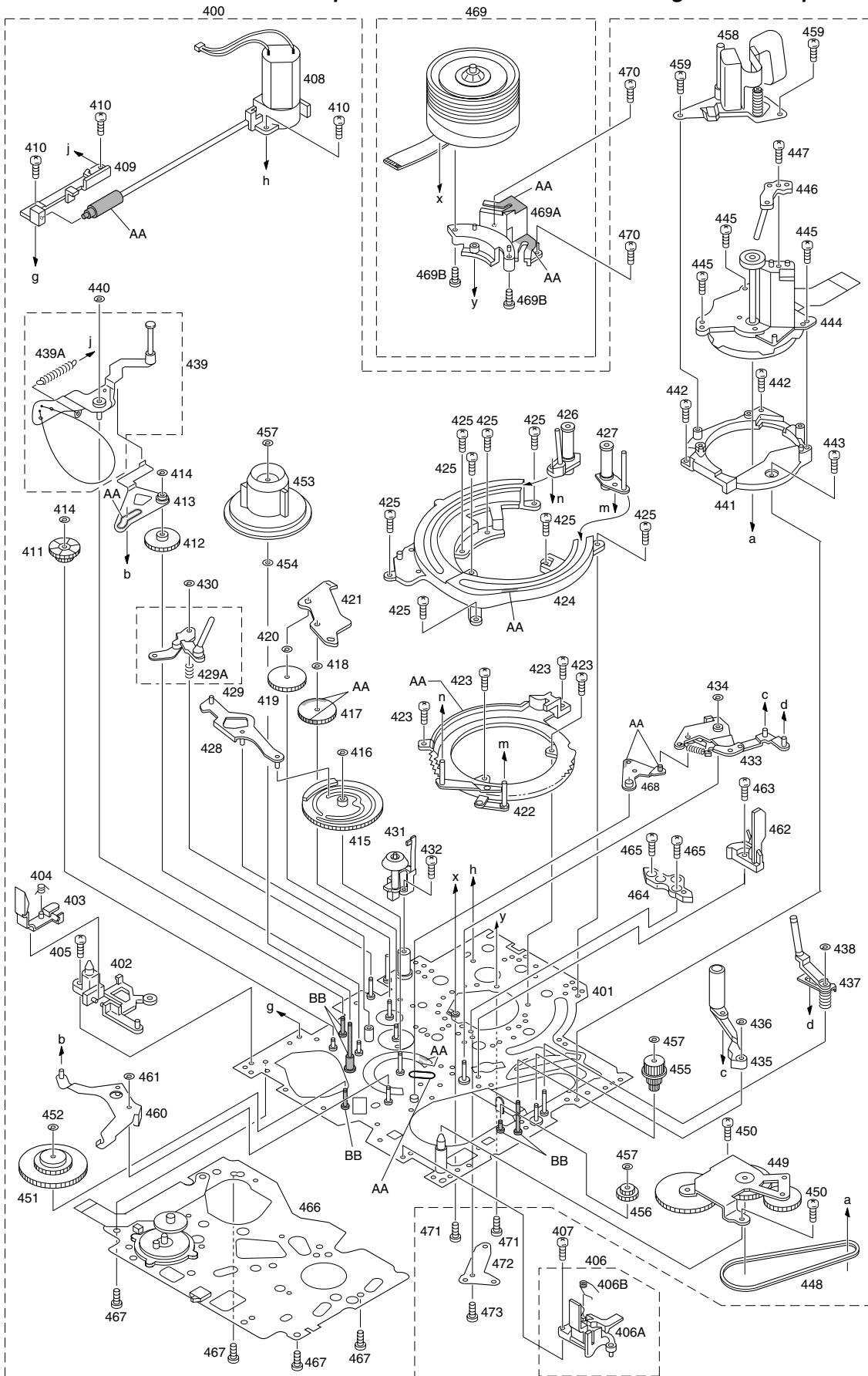
- OPTICAL BLOCK SECTION -

		251	LY30948-003A OP BLOCK ASSY
		251A	PTY30948-002 FOCUS MOTOR
		251B	PTY30948-301 ZOOM MOTOR
		251C	PTY30151-016 TAPPING SCREW,X9
		251D	PTY30948-006 IRIS MOTOR UNIT
		252	LY41757-001A OPTICAL LPF
		253	LY31441-001A SPACER RUBBER
		254	LY20346-001A CCD SPACER
		255	LYH30374-002A CCD BASE ASSY
		256	QYSPSGU2080Z SCREW,X2
		257	LY30018-072A SPECIAL SCREW

5.3 MECHANISM ASSEMBLY <M3>

BEWARE OF BOGUS PARTS

Parts that do not meet specifications may cause trouble in regard to safety and performance. We recommend that genuine JVC parts be used.



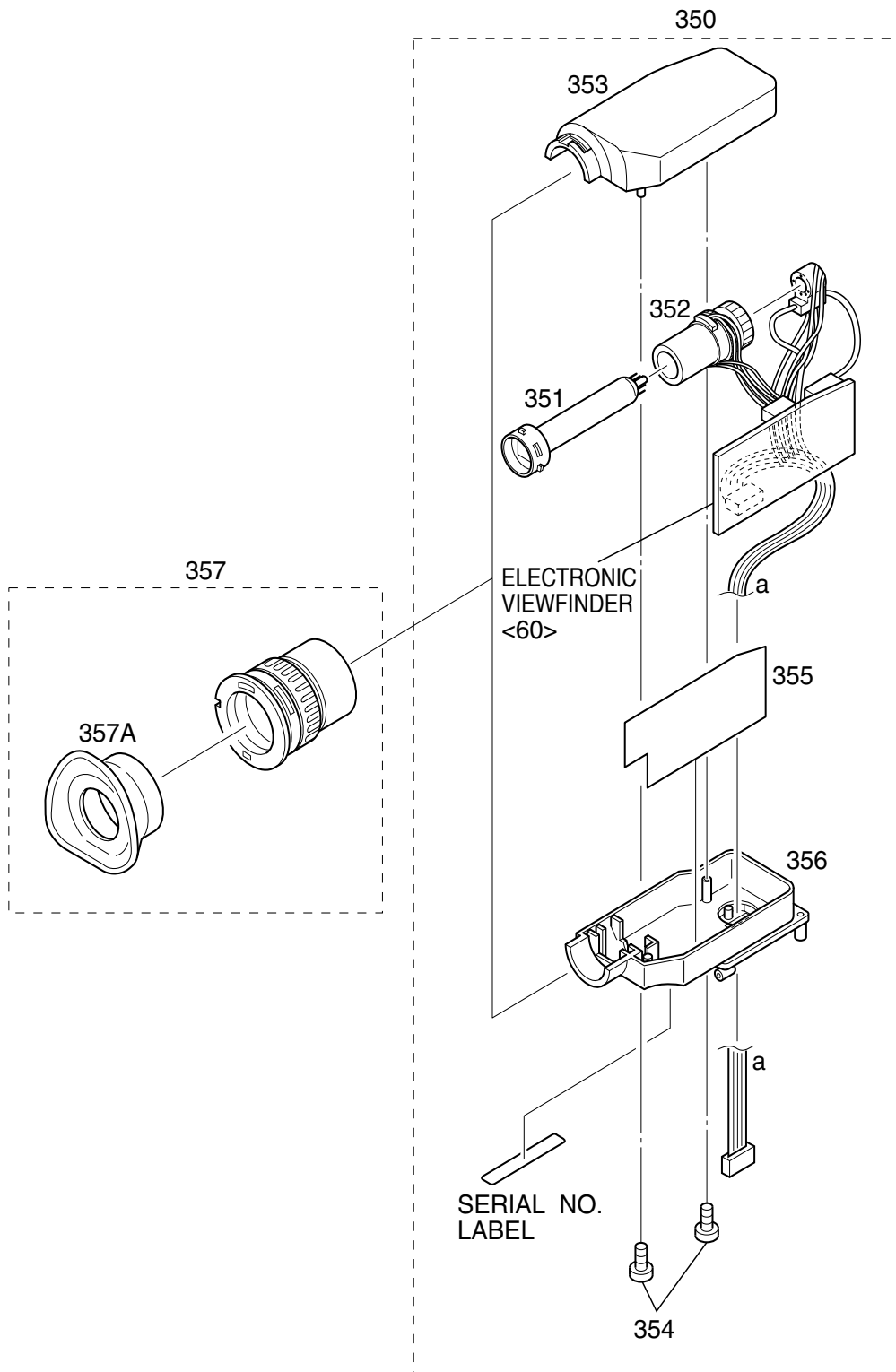
Classification	Part No.	Symbol in drawing
Grease	KYODO-SH-P	AA
Oil	YTU94027	BB

NOTE:The section marked in **AA** and **BB** indicate lubrication and greasing areas.

#	△ REF No.	PART No.	PART NAME, DESCRIPTION	#	△ REF No.	PART No.	PART NAME, DESCRIPTION

MECHANISM ASSEMBLY <M3>							
400		YMA0034A-E	MECHA(B)ASSY	455		LY31924-001A	TAKE UP GEAR
401		LY20612-001B	MAIN DECK ASSY	456		LY42738-001A	BRAKE SUB GEAR
402		LY31817-001A	CASSETTE GUIDE(LEFT)	457		LY42754-003A	SLIT WASHER,X3
403		LY31815-001A	SW LEVER(LEFT)	458		LY42544-001B	A/C HEAD UNIT
404		LY42581-001A	TORSION SPRING	459		SPSN1750Z	SCREW,X2
405		LY42722-001A	SCREW	460		LY42517-001A	EJECT LEVER ASSY
406		YQ44339A-7	CASSETTE GUIDE ASSY(RIGHT)	461		LY42754-003A	SLIT WASHER
406A		YQ32162-1-3	SW.LEVER(RIGHT)	462		YQ31833-1-1	LED GUIDE
406B		YQ44340-1-4	TORSION SPRING	463		LY42722-001A	SCREW
407		LY42819-001A	SCREW	464		LY42729-001A	DRUM SPACER
408		LY31826-001A	MOTOR BRACKET ASSY	465		LY42722-001A	SCREW,X2
409		YQ20793	WORM BRACKET	466		QSW0888-002	ROTARY ENCODER
410		LY42722-001A	SCREW,X3	467		LY42722-002A	SCREW,X4
411		LY31925-001A	WHEEL GEAR	468		LY31814-001A	LINK LEVER
412		LY42730-001A	MIDDLE GEAR	469		YDV2098A	DRUM ASSY
413		LY42521-001A	CANCEL LEVER ASSY	469A		YDM1003-1-5	CATCHER
414		LY42754-003A	SLIT WASHER,X2	469B		QYSPSPU1735M	SCREW,X2
415		YQ20827-2-1	CONTROL CAM	470		LY42722-001A	SCREW,X2
416		PQM30017-25	SLIT WASHER	471		SPSH1740Z	SCREW,X2
417		LY42733-001A	LOADING GEAR(T)ASSY	472		LY43542-001A	BRUSH
418		LY42754-003A	SLIT WASHER	473		LY42722-003A	SCREW
419		LY42732-001A	LOADING GEAR(S)ASSY				
420		LY42754-003A	SLIT WASHER				
421		LY42403-001A	COVER PLATE				
422		LY42452-001A	LOADING RING ASSY				
423		LY42728-001A	SCREW,X4				
424		LY10239-001A	GUIDE RAIL				
425		LY42728-001A	SCREW,X8				
426		LY30161-001B	POLE BASE(S)ASSY				
427		LY30162-002A	POLE BASE(T)ASSY				
428		LY42523-001A	DRIVE LEVER ASSY				
429		LY42545-001A	SLANT ARM ASSY				
429A		LY42547-001A	TORSION SPRING(S)				
430		LY42754-003A	SLIT WASHER				
431		LY42739-003A	ROLLER BASE ASSY				
432		LY42722-001A	SCREW				
433		LY42494-001A	LINK ARM ASSY				
434		PQM30017-25	SLIT WASHER				
435		LY40018-002A	PINCH ROLLER ARM ASSY				
436		PQM30017-25	SLIT WASHER				
437		LY42541-001B	TAKE UP GUIDE ARM ASSY				
438		LY42754-003A	SLIT WASHER				
439		LY42571-001A	TENSION ARM ASSY				
439A		LY42669-001A	TENSION SPRING				
440		LY42754-003A	SLIT WASHER				
441		YQ20797-1-5	MOTOR BASE				
442		LY42722-001A	SCREW,X2				
443		YQ44460	SCREW				
444		QAR0212-001	CAPSTAN MOTOR				
445		YQ44304	TAPPING SCREW,X3				
446		LY42731-001A	SLANT POLE BASE ASSY				
447		YQ44304	TAPPING SCREW				
448		YQ43710-2	TIMING BELT				
449		LY42678-001A	CENTER PULLEY UNIT				
450		LY42722-002A	SCREW,X2				
451		LY42670-001A	SUPPLY CLUTCH ASSY				
452		LY42754-003A	SLIT WASHER				
453		YQ31861-1-7	REEL DISC				
454		LY42755-001A	WASHER				

5.4 ELECTRONIC VIEWFINDER ASSEMBLY <M4>



Δ REF No. PART No. PART NAME, DESCRIPTION

ELECTRONIC VIEWFINDER ASSEMBLY <M4>

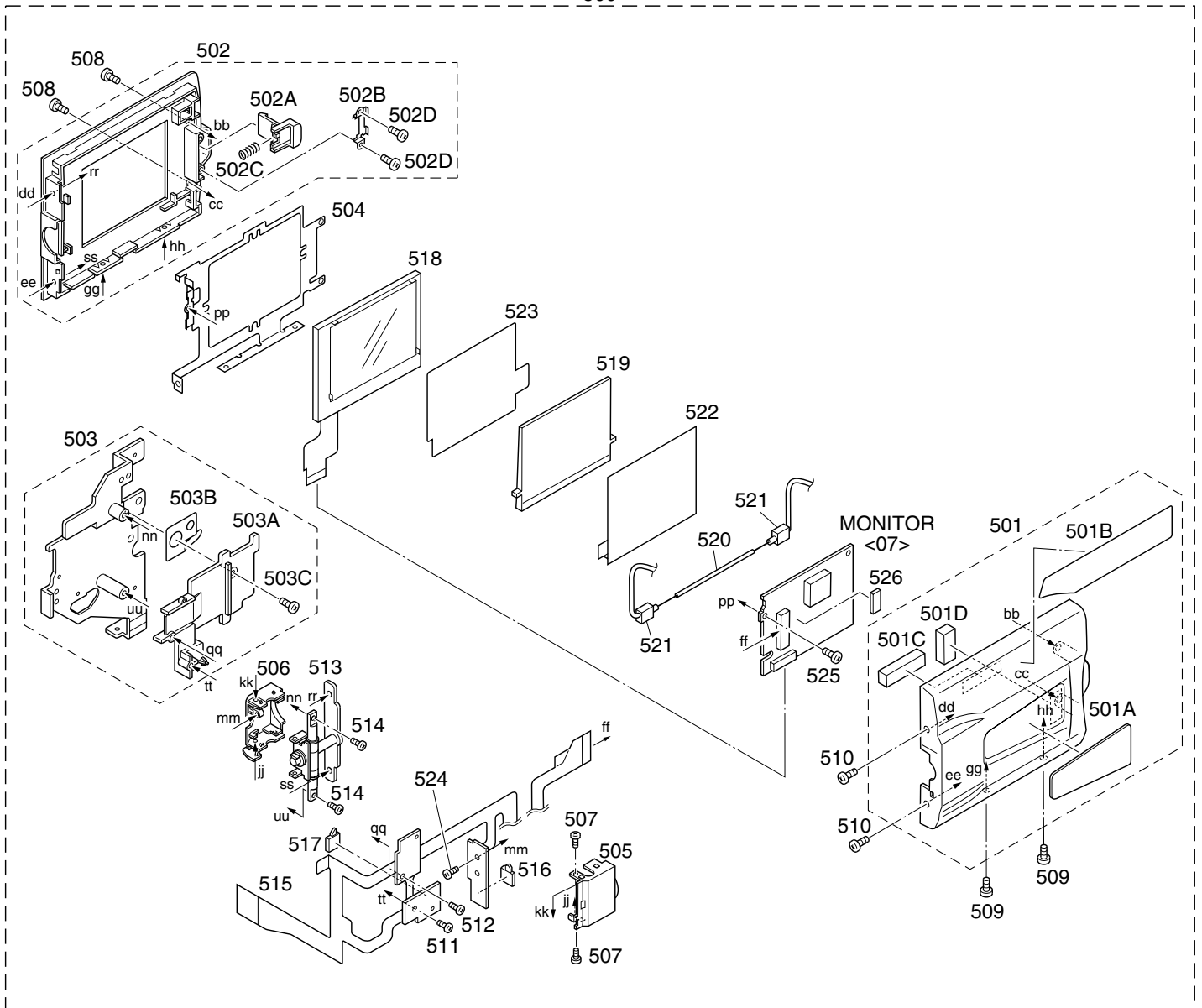
Δ 350	LY20701-007A	B/W VF ASSY
Δ 351	PEDP0193	CRT
Δ 352	QQD0026-001	DEFLECTION YOKE

Δ REF No. PART No. PART NAME, DESCRIPTION

Δ 353	LY10165-001B	CASE(L)
354	QYSPSGU1760M	TAP SCREW,X2
Δ 355	LY41280-001A	SHEET(SHIELD)
Δ 356	PTY20701-011	BOTTOM CASE ASSY
357	PTY20374-201	LENS ASSY
357A	LY20411-001A	EYE CAP

5.5 MONITOR ASSEMBLY <M5> [GR-SXM340U]

500



△ REF No. PART No. PART NAME, DESCRIPTION

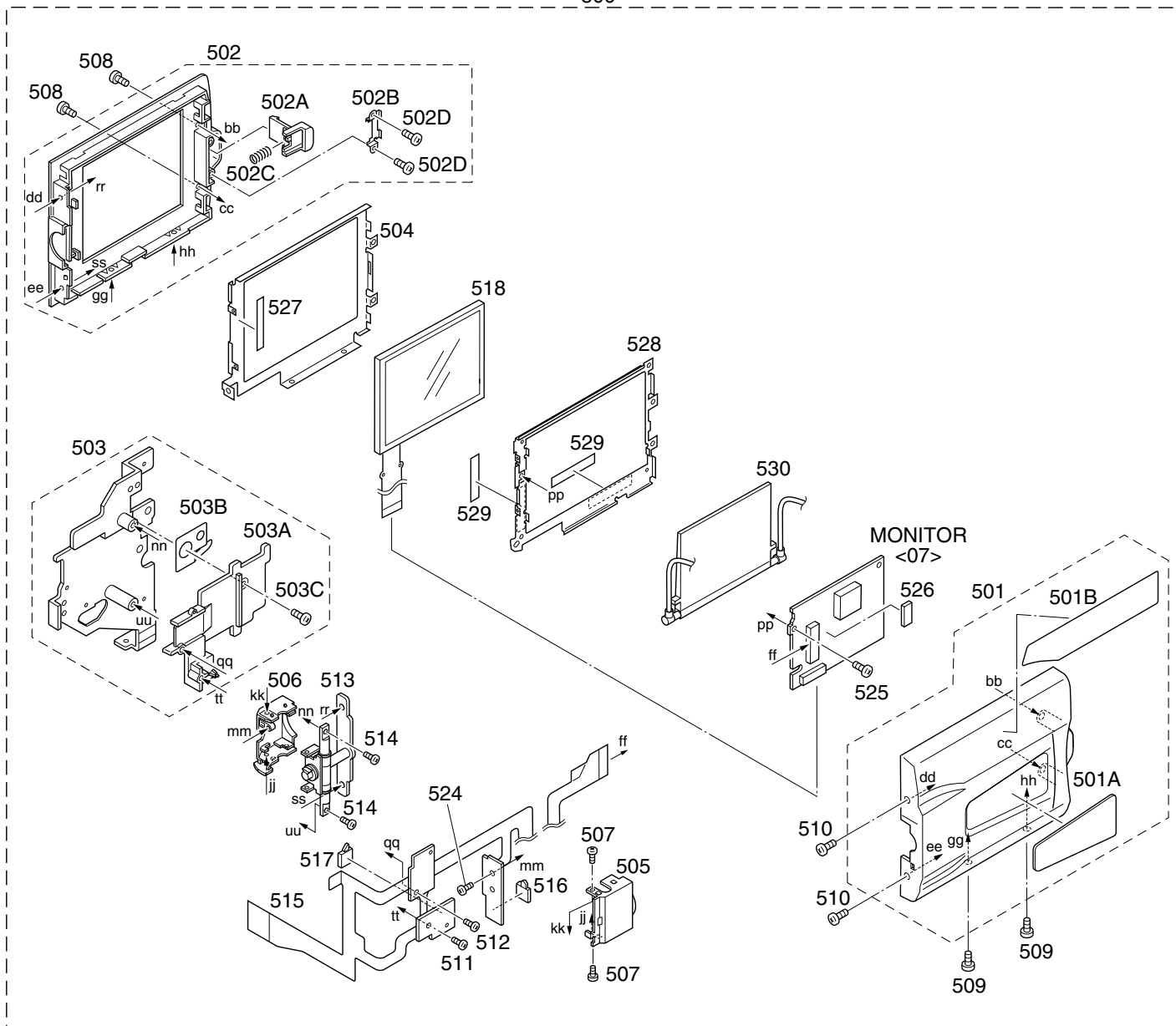
MONITOR ASSEMBLY <M5>[GR-SXM340U]

#	△	REF No.	PART No.	PART NAME, DESCRIPTION
500	△		LY20836-005A	MONITOR ASSY
501	△		LY20834-004A	MONITOR COVER ASSY
501A			LY32329-002A	PLATE(WINDOW)
501B			LY32554-003A	STICKER(B)
501C			LY30029-0R3A	SPACER(A)
501D			LY30029-0R4A	SPACER(A)
502			LY32036-001A	MONITOR CASE(2.5)ASSY
502A			LY31954-001A	KNOB(LOCK)
502B			LY42760-001A	BRACKET(LOCK)
502C			LY30002-043A	COMPRESSION SPRING
502D			LY30018-063A	SPECIAL SCREW,X2
503			LY32034-003A	BRACKET(UPPER)ASSY
503A			LY20652-003A	HOLDER
503B			LY42761-001A	EARTH PLATE
503C			QYSLSP2025D	SCREW
504			LY32330-001A	SHIELD CASE(2.5)
505			LY31939-004A	HINGE COVER(UPPER)

#	△	REF No.	PART No.	PART NAME, DESCRIPTION
506			LY31940-001A	HINGE COVER(LOWER)
507			LY30018-0C9A	SPECIAL SCREW,X2
508			LY30018-052A	SPECIAL SCREW,X2
509			LY30018-0C9A	SPECIAL SCREW,X2
510			LY30018-0C5A	SPECIAL SCREW,X2
511			QYSLSF2040D	SCREW
512			QYSLSP2070D	SCREW
513			LY31957-001A	HINGE ASSY
514			LY30018-090A	SPECIAL SCREW,X2
515			QAL0391-001	FPC
516			NSW0095-001X	DETECT SWITCH,RVS SW
517			NSW0105-001X	DETECT SWITCH,OPEN SW
518			QLD0176-001	LCD MODULE
519			LY43392-001A	LIGHT SCREEN
520			QLL0110-001	LAMP
521			LY43393-001A	HOLDER,X2
522			LY43396-001A	SHEET(REFLECT)
523			LY43362-001A	DIFFUSION SHEET(2.5)
524			LY30018-063A	SPECIAL SCREW
525			LY30018-0C9A	SPECIAL SCREW
526			LY30016-049A	SPACER-A

5.5 MONITOR ASSEMBLY <M5> [GR-SXM740U]

500



▲ REF No. PART No. PART NAME, DESCRIPTION

MONITOR ASSEMBLY <M5>[GR-SXM740U]

# ▲	REF No.	PART No.	PART NAME, DESCRIPTION
▲	500	LY20836-007A	MONITOR ASSY
▲	501	LY20816-001A	MONITOR COVER ASSY
	501A	LY32329-002A	PLATE(WINDOW)
	501B	LY32554-003A	STICKER(B)
	502	LY32544-001A	MONITOR CASE(3.5)ASSY
	502A	LY31954-001A	KNOB(LOCK)
	502B	LY42760-001A	BRACKET(LOCK)
	502C	LY30002-043A	COMPRESSION SPRING
	502D	LY30018-063A	SPECIAL SCREW,X2
	503	LY32034-003A	BRACKET(UPPER)ASSY
	503A	LY20652-003A	HOLDER
	503B	LY42761-001A	EARTH PLATE
	503C	QYSLSP2025D	SCREW
	504	LY32334-001A	SHIELD CASE(3.5)
	505	LY31939-001A	HINGE COVER(UPPER)

# ▲	REF No.	PART No.	PART NAME, DESCRIPTION
	506	LY31940-001A	HINGE COVER(LOWER)
	507	LY30018-0C9A	SPECIAL SCREW,X2
	508	LY30018-052A	SPECIAL SCREW,X2
	509	LY30018-0C9A	SPECIAL SCREW,X2
	510	LY30018-0C5A	SPECIAL SCREW,X2
	511	QYSLSF2040D	SCREW
	512	QYSLSP2070D	SCREW
	513	LY31957-001A	HINGE ASSY
	514	LY30018-090A	SPECIAL SCREW,X2
	515	QAL0391-001	FPC
	516	NSW0095-001X	DETECT SWITCH,RVS SW
	517	NSW0105-001X	DETECT SWITCH,OPEN SW
	518	QLD0212-001	LCD MODULE
	524	LY30018-063A	SPECIAL SCREW
	525	LY30018-0C9A	SPECIAL SCREW
	526	LY30016-049A	SPACER-A
	527	LY30029-0R6A	SPACER(A)
	528	LY32335-001A	LCD FRAME(3.5)
	529	LY30029-0R5A	SPACER(A),X2
	530	QLL0113-001	BACK LIGHT

5.6 ELECTRICAL PARTS LIST

#	△	REF No.	PART No.	PART NAME, DESCRIPTION	#	△	REF No.	PART No.	PART NAME, DESCRIPTION

MAIN BOARD ASSEMBLY <01>									
		PW1	YB10356UB1-01	MAIN BOARD ASSY,SXM340U			Q2021	DTC144EE	TRANSISTOR
			YB10356UK1-01	MAIN BOARD ASSY,SXM740U				or RN1104	TRANSISTOR
		IC101	UPD703039-040	EC(MICRO C ROM)				or UN9213J	TRANSISTOR
			or UPD70F3040-040	IC(MICRO C ROM)			Q2022	DTC144EE	TRANSISTOR
		IC102	AT25080N-10SC-X	IC				or RN1104	TRANSISTOR
			or CAT25C08SI	IC				or UN9213J	TRANSISTOR
			or X25170S8I-2.5-X	IC			Q2023	2SC4617/QR/-X	TRANSISTOR
			or 25LC080-I/SN-X	IC				or 2SC4783/5-6/-X	TRANSISTOR
		IC103	RS5C314	IC			Q2071	2SC4617/QR/-X	TRANSISTOR
		IC104	IC-PST3427U-X	IC				or 2SC4783/5-6/-X	TRANSISTOR
		IC105	TC7S66FU-X	IC(DIGITAL)			Q2401	DTC144EE	TRANSISTOR
	△	IC1601	LB11951WA-MPB	IC				or RN1104	TRANSISTOR
		IC1602	TA75S393F	IC				or UN9213J	TRANSISTOR
		IC2001	MC74AC04DT	IC			Q3501	HN1C01FU/G/-X	PAIR TRANSISTOR
			or TC74AC04FT	IC(DIGITAL)			Q3502	HN1C01FU/G/-X	PAIR TRANSISTOR
		IC2401	NJM2149V	IC			Q3505	DTC144EE	TRANSISTOR
		IC3501	HA118224F	IC				or RN1104	TRANSISTOR
		IC4001	JCY0140-3	IC				or UN9213J	TRANSISTOR
		IC4002	Z4C2973-32-X	IC			Q3901	HN1A01FU/G/-X	PAIR TRANSISTOR
			or TMS4C2973-28-X	IC			Q4001	DTC144EE	TRANSISTOR
		IC4003	UPD6467GR-512-X	IC(MICRO C ROM)				or RN1104	TRANSISTOR
		IC4201	BA10324AF-XE	IC				or UN9213J	TRANSISTOR
		IC4202	BA10324AF-XE	IC			Q4201	2SC4617/QR/-X	TRANSISTOR
		IC4501	UPD16835AGS	IC				or 2SC4783/5-6/-X	TRANSISTOR
		IC4702	BA7665FS	IC			Q4202	2SC4617/QR/-X	TRANSISTOR
		IC5201	HD49326BF	IC				or 2SC4783/5-6/-X	TRANSISTOR
		IC5202	JCY0098	IC			Q4251	RPM-22PB	PHOTO TRANSISTOR
		IC6001	FA7706F	IC			Q4501	DTC114EE	TRANSISTOR
		IC6801	S-814A33AUC-W	IC				or RN1102	TRANSISTOR
		IC8001	MAX3221CAE	IC				or UN9211J	TRANSISTOR
			or ICL3221CA	IC			Q4701	2SA1774/QR/-X	TRANSISTOR
			or MAX3221CDB	IC				or 2SA1836/5-6/-X	TRANSISTOR
		Q101	2SA1774/RS/-X	TRANSISTOR			Q4702	2SA1774/QR/-X	TRANSISTOR
			or 2SA1836/6-7/-X	TRANSISTOR				or 2SA1836/5-6/-X	TRANSISTOR
		Q102	DTC144EE	TRANSISTOR			Q6101	SSM5G01TU	MOS FET
			or RN1104	TRANSISTOR			Q6201	SSM5G01TU	MOS FET
			or UN9213J	TRANSISTOR			Q6301	FDC6506P	MOS FET
		Q103	2SC4617/QR/-X	TRANSISTOR			Q6306	SSM3K02F	MOS FET
			or 2SC4783/5-6/-X	TRANSISTOR			Q6401	SSM5G01TU	MOS FET
		Q104	DTC144EE	TRANSISTOR			Q6501	SSM5G01TU	MOS FET
			or RN1104	TRANSISTOR			Q6608	DTC144EE	TRANSISTOR
			or UN9213J	TRANSISTOR				or RN1104	TRANSISTOR
		Q105	2SA1774/RS/-X	TRANSISTOR				or UN9213J	TRANSISTOR
			or 2SA1836/6-7/-X	TRANSISTOR			Q6621	HN1C01FU/G/-X	PAIR TRANSISTOR,SXM740U
		Q108	DTC114EE	TRANSISTOR			Q6622	2SA1577/QR/-X	TRANSISTOR,SXM740U
			or RN1102	TRANSISTOR			Q6701	TPC6102	MOS FET
			or UN9211J	TRANSISTOR			Q6702	2SC4097/QR/-X	TRANSISTOR
		Q109	DTC114EE	TRANSISTOR				or 2SC4173/3-4/-X	TRANSISTOR
			or RN1102	TRANSISTOR			Q6802	DTA113ZU	TRANSISTOR
			or UN9211J	TRANSISTOR			Q6811	2SA1577/QR/-X	TRANSISTOR
		Q1601	2SC4617/QR/-X	TRANSISTOR				or 2SA1608/3-4/-X	TRANSISTOR
			or 2SC4783/5-6/-X	TRANSISTOR			Q7011	PUMX1	PAIR TRANSISTOR
		Q2001	DTA114TE	TRANSISTOR				or HN1C01FU/G/-X	PAIR TRANSISTOR
		Q2007	PUMX1	PAIR TRANSISTOR				or UMX1N	PAIR TRANSISTOR
			or UMX1N	PAIR TRANSISTOR			Q7013	PUMX1	PAIR TRANSISTOR
			or HN1C01FU/G/-X	PAIR TRANSISTOR				or UMX1N	PAIR TRANSISTOR
		Q2008	PUMT1	PAIR TRANSISTOR				or HN1C01FU/G/-X	PAIR TRANSISTOR
			or HN1A01FU/G/-X	PAIR TRANSISTOR			Q7015	PUMX1	PAIR TRANSISTOR
			or UMT1N	PAIR TRANSISTOR				or HN1C01FU/G/-X	PAIR TRANSISTOR
								or UMX1N	PAIR TRANSISTOR
							Q7301	2SA1774/QR/-X	TRANSISTOR
								or 2SA1836/5-6/-X	TRANSISTOR
							Q7310	CPH3101	TRANSISTOR

#	△ REF No.	PART No.	PART NAME, DESCRIPTION	#	△ REF No.	PART No.	PART NAME, DESCRIPTION	
	Q7311	2SC4617/QR/-X or 2SC4783/5-6/-X	TRANSISTOR	R162	NRSA63J-472X	MG RESISTOR	4.7kΩ,1/16W	
			TRANSISTOR	R163	NRSA63J-103X	MG RESISTOR	10kΩ,1/16W	
△	D101	SB007W03Q	SB DIODE	R164	NRSA63J-221X	MG RESISTOR	220Ω,1/16W	
	D102	UDZS7.5B	ZENER DIODE	R165	NRSA63J-151X	MG RESISTOR	150Ω,1/16W	
	D103	1SS355	DIODE	R166	NRSA63J-105X	MG RESISTOR	1MΩ,1/16W	
	D104	1SS355	DIODE	R167	NRSA63J-183X	MG RESISTOR	18kΩ,1/16W	
	D4001	DAN222	DIODE	R168	NRSA63J-562X	MG RESISTOR	5.6kΩ,1/16W	
	D5201	1SS355	DIODE	R169	NRSA63J-331X	MG RESISTOR	330Ω,1/16W	
	D6301	MBR130	SB DIODE	R170	NRSA63J-333X	MG RESISTOR	33kΩ,1/16W	
	D6601	RB480Y	SB DIODE	R171	NRSA63J-222X	MG RESISTOR	2.2kΩ,1/16W	
	D6602	RB480Y	SB DIODE	R172	NRSA63J-222X	MG RESISTOR	2.2kΩ,1/16W	
	D6616	UDZS8.2B	ZENER DIODE	R177	NRSA63J-183X	MG RESISTOR	18kΩ,1/16W	
	D6701	CRS09	SB DIODE	R178	NRSA63J-562X	MG RESISTOR	5.6kΩ,1/16W	
	D6702	CRS09	SB DIODE	R181	NRSA63J-0R0X	MG RESISTOR	0Ω,1/16W	
	D8001	EMZ6.8N	ZENER DIODE	R182	NRSA63J-105X	MG RESISTOR	1MΩ,1/16W	
	D8002	EMZ6.8N	ZENER DIODE	R183	NRSA63J-105X	MG RESISTOR	1MΩ,1/16W	
	R101	NRSA63J-104X	MG RESISTOR	100kΩ,1/16W	R185	NRSA63J-0R0X	MG RESISTOR	0Ω,1/16W
	R102	NRSA63J-0R0X	MG RESISTOR	0Ω,1/16W	R188	NRSA63J-472X	MG RESISTOR	4.7kΩ,1/16W
	R103	NRSA63J-0R0X	MG RESISTOR	0Ω,1/16W	R189	NRSA63J-331X	MG RESISTOR	330Ω,1/16W
	R105	NRSA63J-103X	MG RESISTOR	10kΩ,1/16W	R190	NRSA63J-105X	MG RESISTOR	1MΩ,1/16W
	R106	NRSA63J-102X	MG RESISTOR	1kΩ,1/16W	R1601	NRV142F-R33X	CMF RESISTOR	0.33Ω,1/4W
	R107	NRVA63D-153X	CMF RESISTOR	15kΩ,1/16W	R1602	NRV142F-R33X	CMF RESISTOR	0.33Ω,1/4W
	R108	NRVA63D-243X	CMF RESISTOR	24kΩ,1/16W	R1603	NRSA63J-153X	MG RESISTOR	15kΩ,1/16W
	R109	NRVA63D-183X	CMF RESISTOR	18kΩ,1/16W	R1604	NRSA63J-153X	MG RESISTOR	15kΩ,1/16W
	R110	NRSA63J-103X	MG RESISTOR	10kΩ,1/16W	R1605	NRSA63J-102X	MG RESISTOR	1kΩ,1/16W
	R111	NRSA63J-273X	MG RESISTOR	27kΩ,1/16W	R1606	NRSA63J-104X	MG RESISTOR	100kΩ,1/16W
	R112	NRSA63J-331X	MG RESISTOR	330Ω,1/16W	R1607	NRSA63J-471X	MG RESISTOR	470Ω,1/16W
	R113	NRSA63J-562X	MG RESISTOR	5.6kΩ,1/16W	R1608	NRSA63J-154X	MG RESISTOR	150kΩ,1/16W
	R114	NRSA63J-821X	MG RESISTOR	820Ω,1/16W	R1609	NRSA63J-471X	MG RESISTOR	470Ω,1/16W
	R115	NRSA63J-101X	MG RESISTOR	100Ω,1/16W	R1610	NRSA63J-104X	MG RESISTOR	100kΩ,1/16W
	R117	NRSA63J-102X	MG RESISTOR	1kΩ,1/16W	R1611	NRSA63J-153X	MG RESISTOR	15kΩ,1/16W
	R118	NRSA63J-103X	MG RESISTOR	10kΩ,1/16W	R1612	NRSA63J-153X	MG RESISTOR	15kΩ,1/16W
	R119	NRSA63J-103X	MG RESISTOR	10kΩ,1/16W	R1613	NRSA63J-104X	MG RESISTOR	100kΩ,1/16W
	R120	NRSA63J-273X	MG RESISTOR	27kΩ,1/16W	R1615	NRSA63J-152X	MG RESISTOR	1.5kΩ,1/16W
	R121	NRSA63J-273X	MG RESISTOR	27kΩ,1/16W	R1616	NRSA63J-152X	MG RESISTOR	1.5kΩ,1/16W
	R122	NRSA63J-393X	MG RESISTOR	39kΩ,1/16W	R1617	NRSA63J-153X	MG RESISTOR	15kΩ,1/16W
	R125	NRSA63J-273X	MG RESISTOR	27kΩ,1/16W	R1618	NRSA63J-153X	MG RESISTOR	15kΩ,1/16W
	R126	NRSA63J-153X	MG RESISTOR	15kΩ,1/16W	R1619	NRSA63J-334X	MG RESISTOR	330kΩ,1/16W
	R127	NRSA63J-221X	MG RESISTOR	220Ω,1/16W	R1620	NRSA63J-221X	MG RESISTOR	220Ω,1/16W
	R128	NRSA63J-102X	MG RESISTOR	1kΩ,1/16W	R1621	NRSA63J-331X	MG RESISTOR	330Ω,1/16W
	R129	NRSA63J-102X	MG RESISTOR	1kΩ,1/16W	R1622	NRSA63J-221X	MG RESISTOR	220Ω,1/16W
	R130	NRSA63J-105X	MG RESISTOR	1MΩ,1/16W	R1623	NRSA63J-0R0X	MG RESISTOR	0Ω,1/16W
	R136	NRSA63J-474X	MG RESISTOR	470kΩ,1/16W	R1624	NRSA63J-333X	MG RESISTOR	33kΩ,1/16W
	R138	NRSA63J-333X	MG RESISTOR	33kΩ,1/16W	R1625	NRSA63J-123X	MG RESISTOR	12kΩ,1/16W
	R139	NRSA63J-104X	MG RESISTOR	100kΩ,1/16W	R1626	NRSA63J-103X	MG RESISTOR	10kΩ,1/16W
	R140	NRSA63J-753X	MG RESISTOR	75kΩ,1/16W	R1627	NRSA63J-223X	MG RESISTOR	22kΩ,1/16W
	R141	NRSA63J-334X	MG RESISTOR	330kΩ,1/16W	R1628	NRSA63J-103X	MG RESISTOR	10kΩ,1/16W
	R142	NRSA63J-103X	MG RESISTOR	10kΩ,1/16W	R2001	NRSA63J-104X	MG RESISTOR	100kΩ,1/16W
	R143	NRSA63J-105X	MG RESISTOR	1MΩ,1/16W	R2002	NRSA63J-332X	MG RESISTOR	3.3kΩ,1/16W
	R144	NRSA63J-221X	MG RESISTOR	220Ω,1/16W	R2003	NRSA63J-102X	MG RESISTOR	1kΩ,1/16W
	R145	NRSA63J-222X	MG RESISTOR	2.2kΩ,1/16W	R2004	NRSA63J-681X	MG RESISTOR	680Ω,1/16W
	R146	NRSA63J-222X	MG RESISTOR	2.2kΩ,1/16W	R2005	NRSA63J-272X	MG RESISTOR	2.7kΩ,1/16W
	R147	NRSA63J-472X	MG RESISTOR	4.7kΩ,1/16W	R2006	NRSA63J-102X	MG RESISTOR	1kΩ,1/16W
	R148	NRSA63J-222X	MG RESISTOR	2.2kΩ,1/16W	R2011	NRSA63J-101X	MG RESISTOR	100Ω,1/16W
	R149	NRSA63J-222X	MG RESISTOR	2.2kΩ,1/16W	R2012	NRSA63J-101X	MG RESISTOR	100Ω,1/16W
	R150	NRSA63J-222X	MG RESISTOR	2.2kΩ,1/16W	R2021	NRSA63J-103X	MG RESISTOR	10kΩ,1/16W
	R151	NRSA63J-222X	MG RESISTOR	2.2kΩ,1/16W	R2022	NRSA63J-334X	MG RESISTOR	330kΩ,1/16W
	R152	NRSA63J-474X	MG RESISTOR	470kΩ,1/16W	R2023	NRSA63J-151X	MG RESISTOR	150Ω,1/16W
	R153	NRSA63J-474X	MG RESISTOR	470kΩ,1/16W	R2024	NRSA63J-133X	MG RESISTOR	13kΩ,1/16W
	R154	NRSA63J-222X	MG RESISTOR	2.2kΩ,1/16W	R2025	NRSA63J-823X	MG RESISTOR	82kΩ,1/16W
	R155	NRSA63J-104X	MG RESISTOR	100kΩ,1/16W	R2027	NRSA63J-102X	MG RESISTOR	1kΩ,1/16W
△	R156	NRSA63J-102X	MG RESISTOR	1kΩ,1/16W	R2028	NRSA63J-102X	MG RESISTOR	1kΩ,1/16W
	R157	NRSA63J-0R0X	MG RESISTOR	0Ω,1/16W	R2030	NRSA63J-104X	MG RESISTOR	100kΩ,1/16W

#	△ REF No.	PART No.	PART NAME, DESCRIPTION		#	△ REF No.	PART No.	PART NAME, DESCRIPTION	
R2031		NRSA63J-332X	MG RESISTOR	3.3kΩ, 1/16W	R4255		NRSA63J-222X	MG RESISTOR	2.2kΩ, 1/16W
R2051		NRSA63J-102X	MG RESISTOR	1kΩ, 1/16W	R4256		NRSA63J-824X	MG RESISTOR	820kΩ, 1/16W
R2071		NRSA63J-473X	MG RESISTOR	47kΩ, 1/16W	R4257		NRSA63J-822X	MG RESISTOR	8.2kΩ, 1/16W
R2072		NRSA63J-562X	MG RESISTOR	5.6kΩ, 1/16W	R4258		NRSA63J-104X	MG RESISTOR	100kΩ, 1/16W
R2401		NRSA63J-392X	MG RESISTOR	3.9kΩ, 1/16W	R4259		NRSA63J-683X	MG RESISTOR	68kΩ, 1/16W
R2402		NRSA63J-332X	MG RESISTOR	3.3kΩ, 1/16W	R4262		NRSA63J-302X	MG RESISTOR	3kΩ, 1/16W
R2403		NRSA63J-103X	MG RESISTOR	10kΩ, 1/16W	△ R4501		NRSA63J-6R8X	MG RESISTOR	6.8Ω, 1/16W
R3501		NRSA63J-0R0X	MG RESISTOR	0Ω, 1/16W	△ R4502		NRSA63J-6R8X	MG RESISTOR	6.8Ω, 1/16W
R3502		NRSA63J-102X	MG RESISTOR	1kΩ, 1/16W	△ R4503		NRSA63J-6R8X	MG RESISTOR	6.8Ω, 1/16W
R3506		NRSA63J-102X	MG RESISTOR	1kΩ, 1/16W	△ R4504		NRSA63J-6R8X	MG RESISTOR	6.8Ω, 1/16W
R3507		NRSA63J-0R0X	MG RESISTOR	0Ω, 1/16W	R4505		NRSA63J-271X	MG RESISTOR	270Ω, 1/16W
R3508		NRSA63J-153X	MG RESISTOR	15kΩ, 1/16W	R4507		NRSA63J-103X	MG RESISTOR	10kΩ, 1/16W
R3901		NRSA63J-100X	MG RESISTOR	10Ω, 1/16W	R4508		NRSA63J-103X	MG RESISTOR	10kΩ, 1/16W
R3902		NRSA63J-101X	MG RESISTOR	100Ω, 1/16W	R4512		NRSA63J-0R0X	MG RESISTOR	0Ω, 1/16W
R3903		NRSA63J-182X	MG RESISTOR	1.8kΩ, 1/16W	R4514		NRSA63J-223X	MG RESISTOR	22kΩ, 1/16W
R4001		NRSA63J-102X	MG RESISTOR	1kΩ, 1/16W	R4515		NRSA63J-182X	MG RESISTOR	1.8kΩ, 1/16W
R4002		NRSA63J-105X	MG RESISTOR	1MΩ, 1/16W	R4701		NRSA63D-112X	MG RESISTOR	1.1kΩ, 1/16W
R4003		NRSA63J-563X	MG RESISTOR	56kΩ, 1/16W	R4703		NRSA63J-681X	MG RESISTOR	680Ω, 1/16W
R4004		NRSA63D-153X	MG RESISTOR	15kΩ, 1/16W	R4704		NRSA63J-122X	MG RESISTOR	1.2kΩ, 1/16W
R4009		NRSA63D-153X	MG RESISTOR	15kΩ, 1/16W	R4706		NRSA63D-680X	MG RESISTOR	68Ω, 1/16W
R4010		NRSA63D-153X	MG RESISTOR	15kΩ, 1/16W	R4707		NRSA63D-751X	MG RESISTOR	750Ω, 1/16W
R4013		NRSA63J-102X	MG RESISTOR	1kΩ, 1/16W	R4709		NRSA63J-681X	MG RESISTOR	680Ω, 1/16W
R4014		NRSA63J-103X	MG RESISTOR	10kΩ, 1/16W	R4710		NRSA63J-122X	MG RESISTOR	1.2kΩ, 1/16W
R4016		NRSA63J-0R0X	MG RESISTOR	0Ω, 1/16W	R4712		NRSA63D-680X	MG RESISTOR	68Ω, 1/16W
R4019		NRSA63D-822X	MG RESISTOR	8.2kΩ, 1/16W	R4713		NRSA63D-680X	MG RESISTOR	68Ω, 1/16W
R4020		NRSA63D-471X	MG RESISTOR	470Ω, 1/16W	R5201		NRSA63J-243X	MG RESISTOR	24kΩ, 1/16W
R4021		NRSA63D-181X	MG RESISTOR	180Ω, 1/16W	R5202		NRSA63J-220X	MG RESISTOR	22Ω, 1/16W
R4022		NRSA63D-182X	MG RESISTOR	1.8kΩ, 1/16W	R5213		NRSA63J-101X	MG RESISTOR	100Ω, 1/16W
R4025		NRSA63D-222X	MG RESISTOR	2.2kΩ, 1/16W	R5214		NRSA63J-101X	MG RESISTOR	100Ω, 1/16W
R4026		NRSA63J-563X	MG RESISTOR	56kΩ, 1/16W	R5215		NRSA63J-104X	MG RESISTOR	100kΩ, 1/16W
R4027		NRSA63J-104X	MG RESISTOR	100kΩ, 1/16W	R5216		NRSA63J-100X	MG RESISTOR	10Ω, 1/16W
R4028		NRSA63J-104X	MG RESISTOR	100kΩ, 1/16W	R5217		NRSA63J-104X	MG RESISTOR	100kΩ, 1/16W
R4029		NRSA63J-104X	MG RESISTOR	100kΩ, 1/16W	R6001		NRSA63J-104X	MG RESISTOR	100kΩ, 1/16W
R4032		NRSA63J-0R0X	MG RESISTOR	0Ω, 1/16W	R6002		NRSA63J-333X	MG RESISTOR	33kΩ, 1/16W
R4033		NRSA63J-392X	MG RESISTOR	3.9kΩ, 1/16W	R6003		NRVA63D-912X	CMF RESISTOR	9.1kΩ, 1/16W
R4034		NRSA63J-332X	MG RESISTOR	3.3kΩ, 1/16W	R6004		NRVA63D-681X	CMF RESISTOR	680Ω, 1/16W
R4035		NRSA63J-332X	MG RESISTOR	3.3kΩ, 1/16W	R6005		NRVA63D-203X	CMF RESISTOR	20kΩ, 1/16W
R4201		NRSA63J-103X	MG RESISTOR	10kΩ, 1/16W	R6008		NRVA63D-103X	CMF RESISTOR	10kΩ, 1/16W
R4202		NRSA63J-0R0X	MG RESISTOR	0Ω, 1/16W	R6012		NRSA63J-103X	MG RESISTOR	10kΩ, 1/16W
R4203		NRSA63J-223X	MG RESISTOR	22kΩ, 1/16W	R6015		NRSA63J-104X	MG RESISTOR	100kΩ, 1/16W
R4204		NRSA63J-331X	MG RESISTOR	330Ω, 1/16W	R6021		NRSA63J-222X	MG RESISTOR	2.2kΩ, 1/16W
R4205		NRSA63J-105X	MG RESISTOR	1MΩ, 1/16W	R6024		NRSA63J-224X	MG RESISTOR	220kΩ, 1/16W
R4206		NRSA63J-103X	MG RESISTOR	10kΩ, 1/16W	R6025		NRSA63J-104X	MG RESISTOR	100kΩ, 1/16W
R4207		NRSA63J-104X	MG RESISTOR	100kΩ, 1/16W	R6026		NRSA63J-104X	MG RESISTOR	100kΩ, 1/16W
R4208		NRSA63J-472X	MG RESISTOR	4.7kΩ, 1/16W	R6027		NRSA63J-104X	MG RESISTOR	100kΩ, 1/16W
R4209		NRSA63J-104X	MG RESISTOR	100kΩ, 1/16W	R6028		NRSA63J-104X	MG RESISTOR	100kΩ, 1/16W
R4210		NRSA63J-105X	MG RESISTOR	1MΩ, 1/16W	R6029		NRSA63J-104X	MG RESISTOR	100kΩ, 1/16W
R4211		NRSA63J-243X	MG RESISTOR	24kΩ, 1/16W	R6103		NRVA63D-223X	CMF RESISTOR	22kΩ, 1/16W
R4214		NRSA63J-472X	MG RESISTOR	4.7kΩ, 1/16W	R6104		NRVA63D-103X	CMF RESISTOR	10kΩ, 1/16W
R4215		NRSA63J-683X	MG RESISTOR	68kΩ, 1/16W	R6203		NRVA63D-103X	CMF RESISTOR	10kΩ, 1/16W
R4216		NRSA63J-103X	MG RESISTOR	10kΩ, 1/16W	R6204		NRVA63D-123X	CMF RESISTOR	12kΩ, 1/16W
R4217		NRSA63J-102X	MG RESISTOR	1kΩ, 1/16W	R6303		NRVA63D-183X	CMF RESISTOR	18kΩ, 1/16W
R4218		NRSA63J-102X	MG RESISTOR	1kΩ, 1/16W	R6304		NRVA63D-472X	CMF RESISTOR	4.7kΩ, 1/16W
R4219		NRSA63J-104X	MG RESISTOR	100kΩ, 1/16W	R6306		NRS12BK-R47W	MG RESISTOR	0.47Ω, 1/2W
R4220		NRSA63J-152X	MG RESISTOR	1.5kΩ, 1/16W	R6307		NRSA63J-104X	MG RESISTOR	100kΩ, 1/16W
R4221		NRSA63J-334X	MG RESISTOR	330kΩ, 1/16W	R6401		NRSA63J-0R0X	MG RESISTOR	0Ω, 1/16W
R4222		NRSA63J-154X	MG RESISTOR	150kΩ, 1/16W	R6501		NRSA63J-0R0X	MG RESISTOR	0Ω, 1/16W
R4223		NRSA63J-333X	MG RESISTOR	33kΩ, 1/16W	R6502		NRSA63J-471X	MG RESISTOR	470Ω, 1/16W
R4224		NRSA63J-223X	MG RESISTOR	22kΩ, 1/16W	R6603		NRVA63D-683X	CMF RESISTOR	68kΩ, 1/16W
R4251		NRSA63J-182X	MG RESISTOR	1.8kΩ, 1/16W	R6604		NRVA63D-392X	CMF RESISTOR	3.9kΩ, 1/16W
R4252		NRSA63J-103X	MG RESISTOR	10kΩ, 1/16W	R6605		NRSA63J-274X	MG RESISTOR	270kΩ, 1/16W
R4253		NRSA63J-103X	MG RESISTOR	10kΩ, 1/16W	R6606		NRSA63J-272X	MG RESISTOR	2.7kΩ, 1/16W
R4254		NRSA63J-684X	MG RESISTOR	680kΩ, 1/16W	R6612		NRSA63J-823X	MG RESISTOR	82kΩ, 1/16W

#	△ REF No.	PART No.	PART NAME, DESCRIPTION	#	△ REF No.	PART No.	PART NAME, DESCRIPTION
R6613		NRSA63J-104X	MG RESISTOR 100kΩ,1/16W	RA6020		NRZ0038-102X	NETWORK RESISTOR 1kΩ
R6614		NRSA63J-153X	MG RESISTOR 15kΩ,1/16W	C103		NBE20JM-106X	T CAPACITOR 10μF,6.3V
R6616		NRSA63J-102X	MG RESISTOR 1kΩ,1/16W	C104		NCB31EK-103X	CAPACITOR 0.01μF,25V
R6622		NRVA63D-104X	CMF RESISTOR,SXM740U 100kΩ,1/16W	C105		NCB21CK-224X	CAPACITOR 0.22μF,16V
R6623		NRVA63D-473X	CMF RESISTOR,SXM740U 47kΩ,1/16W	C107		NCB31EK-103X	CAPACITOR 0.01μF,25V
R6624		NRSA63J-273X	MG RESISTOR,SXM740U 27kΩ,1/16W	C108		NBE21AM-225X	T CAPACITOR 2.2μF,10V
R6625		NRSA63J-822X	MG RESISTOR,SXM740U 8.2kΩ,1/16W	C109		NBE20JM-106X	T CAPACITOR 10μF,6.3V
R6626		NRVA63D-273X	CMF RESISTOR,SXM740U 27kΩ,1/16W	C110		NDC31HJ-101X	CAPACITOR 100pF,50V
R6627		NRVA63D-183X	CMF RESISTOR,SXM740U 18kΩ,1/16W	C112		NEA70JM-226X	E CAPACITOR 22μF,6.3V
R6702		NRSA63J-330X	MG RESISTOR 33Ω,1/16W	C113		NCB31EK-103X	CAPACITOR 0.01μF,25V
R6704		NRVA63D-123X	CMF RESISTOR 12kΩ,1/16W	C114		NCB31EK-103X	CAPACITOR 0.01μF,25V
R6706		NRZ0058-R20X	MG RESISTOR 0.2Ω,1/2W	C115		NCF31EZ-104X	CAPACITOR 0.1μF,25V
R6707		NRS016J-121X	MG RESISTOR 120Ω,1W	C116		NCB31EK-103X	CAPACITOR 0.01μF,25V
R6708		NRS016J-121X	MG RESISTOR 120Ω,1W	C118		NCF31EZ-104X	CAPACITOR 0.1μF,25V
R6709		NRS016J-121X	MG RESISTOR 120Ω,1W	C119		NCB31EK-103X	CAPACITOR 0.01μF,25V
R6710		NRVA63D-823X	CMF RESISTOR 82kΩ,1/16W	C120		NCB31EK-103X	CAPACITOR 0.01μF,25V
R6711		NRVA63D-333X	CMF RESISTOR 33kΩ,1/16W	C121		NCF31EZ-104X	CAPACITOR 0.1μF,25V
R6713		NRSA63J-562X	MG RESISTOR 5.6kΩ,1/16W	C122		NCF31EZ-104X	CAPACITOR 0.1μF,25V
R6715		NRSA63J-222X	MG RESISTOR 2.2kΩ,1/16W	C123		NDC31HJ-100X	CAPACITOR 10pF,50V
R6801		NRSA63J-0R0X	MG RESISTOR 0Ω,1/16W	C124		NDC31HJ-100X	CAPACITOR 10pF,50V
R6802		NRSA63J-104X	MG RESISTOR 100kΩ,1/16W	C125		NCB31EK-103X	CAPACITOR 0.01μF,25V
R6811		NRSA63J-101X	MG RESISTOR 100Ω,1/16W	C126		NDC31HJ-100X	CAPACITOR 10pF,50V
R6812		NRSA63J-222X	MG RESISTOR 2.2kΩ,1/16W	C127		NCB31CK-333X	CAPACITOR 0.033μF,16V
R6961		NRSA63J-223X	MG RESISTOR 22kΩ,1/16W	C128		NCB21CK-474X	CAPACITOR 0.47μF,16V
R7077		NRVA63D-123X	CMF RESISTOR 12kΩ,1/16W	C129		NCB31CK-333X	CAPACITOR 0.033μF,16V
R7086		NRVA63D-123X	CMF RESISTOR 12kΩ,1/16W	C131		NCF31EZ-104X	CAPACITOR 0.1μF,25V
R7091		NRVA63D-123X	CMF RESISTOR 12kΩ,1/16W	C132		NCF31EZ-104X	CAPACITOR 0.1μF,25V
R7096		NRVA63D-123X	CMF RESISTOR 12kΩ,1/16W	C133		NCF31EZ-104X	CAPACITOR 0.1μF,25V
R7110		NRSA63J-105X	MG RESISTOR 1MΩ,1/16W	C134		NCF31EZ-104X	CAPACITOR 0.1μF,25V
R7112		NRVA63D-332X	CMF RESISTOR 3.3kΩ,1/16W	C138		NCB31EK-103X	CAPACITOR 0.01μF,25V
R7114		NRVA63D-223X	CMF RESISTOR 22kΩ,1/16W	C142		NCB31CK-104X	CAPACITOR 0.1μF,16V
R7116		NRVA63D-332X	CMF RESISTOR 3.3kΩ,1/16W	C143		NDC31HJ-3R0X	CAPACITOR 3pF,50V
R7118		NRVA63D-223X	CMF RESISTOR 22kΩ,1/16W	C1201		NCB31HK-102X	CAPACITOR 0.001μF,50V
R7120		NRVA63D-332X	CMF RESISTOR 3.3kΩ,1/16W	C1202		NBE20JM-106X	T CAPACITOR 10μF,6.3V
R7122		NRVA63D-223X	CMF RESISTOR 22kΩ,1/16W	C1205		NCB31EK-153X	CAPACITOR 0.015μF,25V
R7124		NRVA63D-103X	CMF RESISTOR 10kΩ,1/16W	C1206		NBE20JM-106X	T CAPACITOR 10μF,6.3V
R7127		NRVA63D-103X	CMF RESISTOR 10kΩ,1/16W	C1601		NCB21EK-104X	CAPACITOR 0.1μF,25V
R7128		NRVA63D-103X	CMF RESISTOR 10kΩ,1/16W	C1602		NCB30JK-105X	CAPACITOR 1μF,6.3V
R7129		NRVA63D-103X	CMF RESISTOR 10kΩ,1/16W	C1603		NCB31HK-472X	CAPACITOR 0.0047μF,50V
R7130		NRVA63D-103X	CMF RESISTOR 10kΩ,1/16W	C1604		NCB31HK-472X	CAPACITOR 0.0047μF,50V
R7131		NRVA63D-103X	CMF RESISTOR 10kΩ,1/16W	C1605		NCB31CK-333X	CAPACITOR 0.033μF,16V
R7132		NRVA63D-103X	CMF RESISTOR 10kΩ,1/16W	C1606		NCB21EK-104X	CAPACITOR 0.1μF,25V
R7135		NRSA63J-0R0X	MG RESISTOR 0Ω,1/16W	C1607		NCB21CK-474X	CAPACITOR 0.47μF,16V
R7141		NRSA63J-0R0X	MG RESISTOR 0Ω,1/16W	C1608		NCB31HK-332X	CAPACITOR 0.0033μF,50V
R7301		NRVA63D-182X	CMF RESISTOR 1.8kΩ,1/16W	C1609		NBE20JM-106X	T CAPACITOR 10μF,6.3V
R7305		NRVA63D-821X	CMF RESISTOR 820Ω,1/16W	C1610		NCB31HK-681X	CAPACITOR 680pF,50V
R7331		NRSA63J-103X	MG RESISTOR 10kΩ,1/16W	C1611		NCB31CK-104X	CAPACITOR 0.1μF,16V
R7332		NRSA63J-152X	MG RESISTOR 1.5kΩ,1/16W	C1612		NCB21CK-105X	CAPACITOR 1μF,16V
R7333		NRSA63J-473X	MG RESISTOR 47kΩ,1/16W	C1613		NCB31CK-333X	CAPACITOR 0.033μF,16V
R8001		NRSA63J-331X	MG RESISTOR 330Ω,1/16W	C1614		NCB31CK-104X	CAPACITOR 0.1μF,16V
R8002		NRSA63J-0R0X	MG RESISTOR 0Ω,1/16W	C1615		NCB31CK-104X	CAPACITOR 0.1μF,16V
R8003		NRSA63J-0R0X	MG RESISTOR 0Ω,1/16W	C1616		NCB31CK-104X	CAPACITOR 0.1μF,16V
RA101		NRZ0038-222X	NETWORK RESISTOR 2.2kΩ	C1617		NCB31CK-104X	CAPACITOR 0.1μF,16V
RA102		NRZ0038-222X	NETWORK RESISTOR 2.2kΩ	C1618		NCB31CK-104X	CAPACITOR 0.1μF,16V
RA103		NRZ0038-222X	NETWORK RESISTOR 2.2kΩ	C1619		NCB31CK-104X	CAPACITOR 0.1μF,16V
RA104		NRZ0038-222X	NETWORK RESISTOR 2.2kΩ	C1620		NBE21AM-106X	T CAPACITOR 10μF,10V
RA106		NRZ0038-101X	NETWORK RESISTOR 100Ω	C1621		NBP41CM-106X	T CAPACITOR 10μF,16V
RA107		NRZ0038-222X	NETWORK RESISTOR 2.2kΩ	C1625		NCB31CK-104X	CAPACITOR 0.1μF,16V
RA108		NRZ0038-222X	NETWORK RESISTOR 2.2kΩ	C1628		NDC31HJ-101X	CAPACITOR 100pF,50V
RA109		NRZ0038-474X	NETWORK RESISTOR 470kΩ	C1630		NBE20JM-106X	T CAPACITOR 10μF,6.3V
RA110		NRZ0038-474X	NETWORK RESISTOR 470kΩ	C2001		NBE20JM-106X	T CAPACITOR 10μF,6.3V
RA111		NRZ0038-474X	NETWORK RESISTOR 470kΩ	C2002		NFV41HJ-183X	MPPS CAPACITOR 0.018μF,50V
RA112		NRZ0038-104X	NETWORK RESISTOR 100kΩ	C2003		NDC31HJ-331X	CAPACITOR 330pF,50V

#	△ REF No.	PART No.	PART NAME, DESCRIPTION	#	△ REF No.	PART No.	PART NAME, DESCRIPTION
C2004		NBE20JM-226X	T CAPACITOR 22μF,6.3V	C4033		NCF31EZ-104X	CAPACITOR 0.1μF,25V
C2005		NCB21CK-105X	CAPACITOR 1μF,16V	C4034		NCF31EZ-104X	CAPACITOR 0.1μF,25V
C2021		NCB31HK-682X	CAPACITOR 0.0068μF,50V	C4035		NCF31EZ-104X	CAPACITOR 0.1μF,25V
C2022		NBE20JM-106X	T CAPACITOR 10μF,6.3V	C4036		NCF31EZ-104X	CAPACITOR 0.1μF,25V
C2023		NBP21CM-105X	T CAPACITOR 1μF,16V	C4037		NCF31EZ-104X	CAPACITOR 0.1μF,25V
C2024		NCB31HK-122X	CAPACITOR 0.0012μF,50V	C4038		NCF31EZ-104X	CAPACITOR 0.1μF,25V
C2025		NCB21CK-105X	CAPACITOR 1μF,16V	C4039		NCF31EZ-104X	CAPACITOR 0.1μF,25V
C2026		NCB31HK-222X	CAPACITOR 0.0022μF,50V	C4040		NCF31EZ-104X	CAPACITOR 0.1μF,25V
C2027		NCB21CK-474X	CAPACITOR 0.47μF,16V	C4044		NCB30JK-105X	CAPACITOR 1μF,6.3V
C2028		NCB21CK-105X	CAPACITOR 1μF,16V	C4045		NCB30JK-105X	CAPACITOR 1μF,6.3V
C2029		NCB21CK-105X	CAPACITOR 1μF,16V	C4046		NDC31HJ-221X	CAPACITOR 220pF,50V
C2031		NCB31CK-104X	CAPACITOR 0.1μF,16V	C4047		NCF31EZ-104X	CAPACITOR 0.1μF,25V
C2032		NCB31HK-472X	CAPACITOR 0.0047μF,50V	C4048		NCF31EZ-104X	CAPACITOR 0.1μF,25V
C2033		NBE20JM-475X	T CAPACITOR 4.7μF,6.3V	C4201		NEA71HM-225X	E CAPACITOR 2.2μF,50V
C2034		NCB31CK-104X	CAPACITOR 0.1μF,16V	C4202		NCF31EZ-104X	CAPACITOR 0.1μF,25V
C2035		NBE20JM-226X	T CAPACITOR 22μF,6.3V	C4203		NCB31CK-104X	CAPACITOR 0.1μF,16V
C2036		NBE20JM-106X	T CAPACITOR 10μF,6.3V	C4205		NCB31EK-103X	CAPACITOR 0.01μF,25V
C2038		NCB21CK-474X	CAPACITOR 0.47μF,16V	C4206		NCB31CK-104X	CAPACITOR 0.1μF,16V
C2051		NCB31EK-103X	CAPACITOR 0.01μF,25V	C4207		NCB31EK-103X	CAPACITOR 0.01μF,25V
C2071		NBE20JM-106X	T CAPACITOR 10μF,6.3V	C4208		NCB31CK-104X	CAPACITOR 0.1μF,16V
C2072		NCB31HK-222X	CAPACITOR 0.0022μF,50V	C4209		NCB31CK-104X	CAPACITOR 0.1μF,16V
C2401		NEA70GM-476X	E CAPACITOR 47μF,4.0V	C4210		NCF21CZ-105X	CAPACITOR 1μF,16V
C2402		NCB21CK-105X	CAPACITOR 1μF,16V	C4251		NEA71HM-335X	E CAPACITOR 3.3μF,50V
C2403		NBE20JM-475X	T CAPACITOR 4.7μF,6.3V	C4252		NCB31CK-104X	CAPACITOR 0.1μF,16V
C2404		NCF31EZ-104X	CAPACITOR 0.1μF,25V	C4253		NCB31EK-153X	CAPACITOR 0.015μF,25V
C3506		NCB31EK-103X	CAPACITOR 0.01μF,25V	C4254		NCB31EK-153X	CAPACITOR 0.015μF,25V
C3507		NCB31EK-103X	CAPACITOR 0.01μF,25V	C4256		NEA71CM-106X	E CAPACITOR 10μF,16V
C3508		NCB31EK-103X	CAPACITOR 0.01μF,25V	C4504		NCF31EZ-104X	CAPACITOR 0.1μF,25V
C3510		NCB31CK-104X	CAPACITOR 0.1μF,16V	C4505		NDC31HJ-330X	CAPACITOR 33pF,50V
C3512		NCB10JK-106X	CAPACITOR 10μF,6.3V	C4506		NCB31HK-102X	CAPACITOR 0.001μF,50V
C3513		NCB31CK-223X	CAPACITOR 0.022μF,16V	C4507		NCB31HK-102X	CAPACITOR 0.001μF,50V
C3514		NCB30JK-105X	CAPACITOR 1μF,6.3V	C4508		NCB31HK-102X	CAPACITOR 0.001μF,50V
C3515		NCB31EK-103X	CAPACITOR 0.01μF,25V	C4509		NCB31HK-102X	CAPACITOR 0.001μF,50V
C3902		NCB31EK-103X	CAPACITOR 0.01μF,25V	C4510		NCB31CK-104X	CAPACITOR 0.1μF,16V
C3903		NDC31HJ-3R0X	CAPACITOR 3pF,50V	C4511		NCF31EZ-104X	CAPACITOR 0.1μF,25V
C4002		NCF31EZ-104X	CAPACITOR 0.1μF,25V	C4512		NEA71CM-107X	E CAPACITOR 100μF,16V
C4003		NCF31EZ-104X	CAPACITOR 0.1μF,25V	C4702		NDC31HJ-270X	CAPACITOR 27pF,50V
C4004		NCF31EZ-104X	CAPACITOR 0.1μF,25V	C4703		NDC31HJ-150X	CAPACITOR 15pF,50V
C4005		NCF31EZ-104X	CAPACITOR 0.1μF,25V	C4704		NCB30JK-105X	CAPACITOR 1μF,6.3V
C4007		NCF31EZ-104X	CAPACITOR 0.1μF,25V	C4705		NCB31EK-103X	CAPACITOR 0.01μF,25V
C4008		NCF31EZ-104X	CAPACITOR 0.1μF,25V	C4706		NEA70GM-107X	E CAPACITOR 100μF,4.0V
C4009		NDC31HG-100X	CAPACITOR 10pF,50V	C4707		NEA70JM-226X	E CAPACITOR 22μF,6.3V
C4010		NDC31HG-100X	CAPACITOR 10pF,50V	C4708		NCF31EZ-104X	CAPACITOR 0.1μF,25V
C4012		NCF31EZ-104X	CAPACITOR 0.1μF,25V	C4709		NBE20JM-106X	T CAPACITOR 10μF,6.3V
C4013		NCF31EZ-104X	CAPACITOR 0.1μF,25V	C4713		NEA70JM-226X	E CAPACITOR 22μF,6.3V
C4014		NCB31CK-104X	CAPACITOR 0.1μF,16V	C4714		NEA70GM-107X	E CAPACITOR 100μF,4.0V
C4015		NCF31EZ-104X	CAPACITOR 0.1μF,25V	C4715		NCB31EK-103X	CAPACITOR 0.01μF,25V
C4016		NCB31CK-104X	CAPACITOR 0.1μF,16V	C4716		NDC31HJ-270X	CAPACITOR 27pF,50V
C4017		NCF31EZ-104X	CAPACITOR 0.1μF,25V	C4717		NDC31HJ-150X	CAPACITOR 15pF,50V
C4018		NCF31EZ-104X	CAPACITOR 0.1μF,25V	C5203		NCB10JK-106X	CAPACITOR 10μF,6.3V
C4019		NCF31EZ-104X	CAPACITOR 0.1μF,25V	C5207		NCB31EK-103X	CAPACITOR 0.01μF,25V
C4020		NCB31CK-104X	CAPACITOR 0.1μF,16V	C5208		NCB31EK-103X	CAPACITOR 0.01μF,25V
C4021		NCF31EZ-104X	CAPACITOR 0.1μF,25V	C5209		NCB31EK-103X	CAPACITOR 0.01μF,25V
C4023		NCF31EZ-104X	CAPACITOR 0.1μF,25V	C5210		NCF31EZ-104X	CAPACITOR 0.1μF,25V
C4024		NCF31EZ-104X	CAPACITOR 0.1μF,25V	C5211		NCB21CK-105X	CAPACITOR 1μF,16V
C4025		NCB31CK-104X	CAPACITOR 0.1μF,16V	C5212		NCB21CK-105X	CAPACITOR 1μF,16V
C4026		NCB10JK-106X	CAPACITOR 10μF,6.3V	C5213		NCB31HK-332X	CAPACITOR 0.0033μF,50V
C4027		NCF31EZ-104X	CAPACITOR 0.1μF,25V	C5214		NCB31EK-103X	CAPACITOR 0.01μF,25V
C4028		NCF31EZ-104X	CAPACITOR 0.1μF,25V	C5218		NCF31EZ-104X	CAPACITOR 0.1μF,25V
C4029		NCB31CK-104X	CAPACITOR 0.1μF,16V	C5219		NBP21CM-685X	T CAPACITOR 6.8μF,16V
C4030		NCF31EZ-104X	CAPACITOR 0.1μF,25V	C5221		NCB11EK-105X	CAPACITOR 1μF,25V
C4031		NCB30JK-105X	CAPACITOR 1μF,6.3V	C5222		NCB31CK-104X	CAPACITOR 0.1μF,16V
C4032		NCF31EZ-104X	CAPACITOR 0.1μF,25V	C5223		NCF31EZ-104X	CAPACITOR 0.1μF,25V

#	△ REF No.	PART No.	PART NAME, DESCRIPTION	#	△ REF No.	PART No.	PART NAME, DESCRIPTION
C5225		NCF31EZ-104X	CAPACITOR 0.1μF,25V	C7054		NBP41EM-475X	T CAPACITOR 4.7μF,25V
C5227		NCB31CK-104X	CAPACITOR 0.1μF,16V	C7064		NCB11EK-105X	CAPACITOR 1μF,25V
C5228		NCF31EZ-104X	CAPACITOR 0.1μF,25V	C7065		NCB11EK-105X	CAPACITOR 1μF,25V
C5229		NCB11EK-105X	CAPACITOR 1μF,25V	C7066		NCB11EK-105X	CAPACITOR 1μF,25V
C5230		NCB21EK-104X	CAPACITOR 0.1μF,25V	C7069		NCB31EK-103X	CAPACITOR 0.01μF,25V
C5232		NDC31HJ-100X	CAPACITOR 10pF,50V	C7325		NBE20JM-106X	T CAPACITOR 10μF,6.3V
C5233		NDC31HJ-100X	CAPACITOR 10pF,50V	C7326		NBE20JM-106X	T CAPACITOR 10μF,6.3V
C5234		NDC31HJ-100X	CAPACITOR 10pF,50V	C7329		NDC31HJ-100X	CAPACITOR 10pF,50V
C5235		NDC31HJ-100X	CAPACITOR 10pF,50V	C8001		NCF31EZ-104X	CAPACITOR 0.1μF,25V
C5236		NDC31HJ-100X	CAPACITOR 10pF,50V	C8002		NCF31EZ-104X	CAPACITOR 0.1μF,25V
C5237		NDC31HJ-100X	CAPACITOR 10pF,50V	C8003		NCF31EZ-104X	CAPACITOR 0.1μF,25V
C6002		NEA71CM-106X	E CAPACITOR 10μF,16V	C8004		NCF31EZ-104X	CAPACITOR 0.1μF,25V
C6004		NCF21CZ-105X	CAPACITOR 1μF,16V	C8005		NBE20JM-106X	T CAPACITOR 10μF,6.3V
C6005		NCB21CK-105X	CAPACITOR 1μF,16V	C8006		NCF31EZ-104X	CAPACITOR 0.1μF,25V
C6006		NCB31EK-103X	CAPACITOR 0.01μF,25V	L101		NQL365K-220X	COIL 22μH
C6007		NCB21CK-105X	CAPACITOR 1μF,16V	L501		NRSA63J-0R0X	MG RESISTOR 0Ω,1/16W
C6009		NDC31HJ-101X	CAPACITOR 100pF,50V	L1601		NQL144M-1R0X	COIL 1.0μH
C6010		NCB21CK-224X	CAPACITOR 0.22μF,16V	L1602		NQL144K-100X	COIL 10μH
C6011		NCB31EK-103X	CAPACITOR 0.01μF,25V	L2001		NQL144K-470X	COIL 47μH
C6012		NCB21CK-224X	CAPACITOR 0.22μF,16V	L2003		NQL034K-470X	COIL 47μH
C6013		NCB21CK-154X	CAPACITOR 0.15μF,16V	L2004		NRSA63J-0R0X	MG RESISTOR 0Ω,1/16W
C6014		NCB31CK-104X	CAPACITOR 0.1μF,16V	L2005		NRSA63J-0R0X	MG RESISTOR 0Ω,1/16W
C6015		NCB31CK-104X	CAPACITOR 0.1μF,16V	L2021		NQL315K-470X	COIL 47μH
C6016		NCB31EK-473X	CAPACITOR 0.047μF,25V	L2022		NRSA63J-0R0X	MG RESISTOR 0Ω,1/16W
C6017		NCF21CZ-105X	CAPACITOR 1μF,16V	L2023		NRSA63J-0R0X	MG RESISTOR 0Ω,1/16W
C6018		NCB21CK-224X	CAPACITOR 0.22μF,16V	L2051		NRSA63J-0R0X	MG RESISTOR 0Ω,1/16W
C6020		NCB21CK-224X	CAPACITOR 0.22μF,16V	L2052		NRSA63J-0R0X	MG RESISTOR 0Ω,1/16W
C6021		NCB31EK-103X	CAPACITOR 0.01μF,25V	L2071		NRSA63J-0R0X	MG RESISTOR 0Ω,1/16W
C6101		NCB21CK-105X	CAPACITOR 1μF,16V	L2072		NRSA63J-0R0X	MG RESISTOR 0Ω,1/16W
C6102		NCB10JK-106X	CAPACITOR 10μF,6.3V	L2401		NQL315K-470X	COIL 47μH
C6105		NCB31HK-681X	CAPACITOR 680pF,50V	L3502		NQL365K-220X	COIL 22μH
C6110		NCB31HK-152X	CAPACITOR 0.0015μF,50V	L4001		NQL365K-220X	COIL 22μH
C6201		NCB21CK-105X	CAPACITOR 1μF,16V	L4201		NQR0006-001X	FERRITE BEAD
C6202		NCB10JK-106X	CAPACITOR 10μF,6.3V	L4501		NQR0006-001X	FERRITE BEAD
C6203		NBE40JM-476X	T CAPACITOR 47μF,6.3V	L4502		NQL034K-220X	COIL 22μH
C6205		NCB31HK-472X	CAPACITOR 0.0047μF,50V	L4701		NQL365K-220X	COIL 22μH
C6210		NCB31HK-472X	CAPACITOR 0.0047μF,50V	L5201		NQL315K-470X	COIL 47μH
C6301		NCB11CK-225X	CAPACITOR 2.2μF,16V	L5202		NQL365K-220X	COIL 22μH
C6302		NCB10JK-106X	CAPACITOR 10μF,6.3V	L5203		NQL365K-220X	COIL 22μH
C6303		NBE40JM-476X	T CAPACITOR 47μF,6.3V	L6001		NQL62EM-100X	COIL 10μH
C6305		NCB31HK-561X	CAPACITOR 560pF,50V	L6002		NQL62EM-100X	COIL 10μH
C6307		NEA71CM-106X	E CAPACITOR 10μF,16V	L6101		NQL64EM-330X	COIL 33μH
C6310		NCB31HK-102X	CAPACITOR 0.001μF,50V	L6201		NQL64EM-470X	COIL 47μH
C6401		NCB21CK-105X	CAPACITOR 1μF,16V	L6301		NQL52EM-220X	COIL 22μH
C6402		NCF21CZ-105X	CAPACITOR 1μF,16V	L6302		NQR0006-001X	FERRITE BEAD
C6501		NCB21CK-105X	CAPACITOR 1μF,16V	L6401		NQLZ011-470X	COIL 47μH
C6502		NCF21CZ-105X	CAPACITOR 1μF,16V	L6501		NQLZ011-470X	COIL 47μH
C6602		NCF21CZ-105X	CAPACITOR 1μF,16V	L6601		NQL52EM-221X	COIL 220μH
C6603		NCB11EK-105X	CAPACITOR 1μF,25V	L6701		NQL52EM-100X	COIL 10μH
C6606		NCB11EK-105X	CAPACITOR 1μF,25V	L7005		NQL365K-220X	COIL 22μH
C6607		NCF21CZ-105X	CAPACITOR 1μF,16V	L7006		NQL365K-220X	COIL 22μH
C6610		NCB31EK-103X	CAPACITOR 0.01μF,25V	L7304		NQL144K-100X	COIL 10μH
C6616		NCB21CK-105X	CAPACITOR 1μF,16V	L8001		NQL365K-220X	COIL 22μH
C6622		NCB21CK-105X	CAPACITOR,SXM740U 1μF,16V	X101		NAX0251-001X	CRYSTAL RESONATOR
C6701		NCB21CK-105X	CAPACITOR 1μF,16V	X102		NAX0325-001X	CRYSTAL RESONATOR
C6702		NCB41CK-106X	CAPACITOR 10μF,16V	X4001		QAX0709-001	CRYSTAL RESONATOR
C6711		NCB31HK-472X	CAPACITOR 0.0047μF,50V	WR1		WJV0039-001A	E-PRIMARY WIRE,JP2001/2002-JP2003/2004
C6801		NCF21CZ-105X	CAPACITOR 1μF,16V	△ J101		QAB0050-001	LI BATTERY
C6802		NCF21CZ-105X	CAPACITOR 1μF,16V	J504		LY31356-002A	JACK UNIT
C6811		NCB21CK-105X	CAPACITOR 1μF,16V	J505		QND0068-001	S JACK
C7051		NCB31EK-103X	CAPACITOR 0.01μF,25V	CN1		QGF0508F1-10X	FPC CONNECTOR
C7052		NBE20JM-106X	T CAPACITOR 10μF,6.3V	CN2		QGF0508F1-14X	FPC CONNECTOR
C7053		NCB31EK-103X	CAPACITOR 0.01μF,25V	CN3		QGF0505F2-18X	FPC CONNECTOR

#	△ REF No.	PART No.	PART NAME, DESCRIPTION
		CN4	QGA1201F2-02X CONNECTOR
		CN5	QGF0508F1-11X FPC CONNECTOR
		CN6	QGA1201C2-02X CONNECTOR
		CN7	QGF0508F1-11X FPC CONNECTOR
		CN8	QGA1201C2-02X CONNECTOR
		CN12	QGA1201F2-03X CONNECTOR
		CN13	QGF0507F4-14X FFC/FPC CONNECTOR
		CN15	QGF0507F3-22X FFC/FPC CONNECTOR
		CN16	QGF0508F1-25X FPC CONNECTOR
		CN18	QGF0507F4-12X FFC/FPC CONNECTOR
		CN22	QGF0508F1-14X FPC CONNECTOR
		CN25	QGB0506L1-30X CONNECTOR
		CN27	QGA1201C2-02X CONNECTOR
		CN28	QGA1002F1-13X CONNECTOR
△	F6001	NMFZ007-2R0X-K	FUSE T2.0A,50V
△	F6002	NMFZ007-1R25X-K	FUSE T1.2A,50V
△	F6004	NMFZ007-R40X-K	FUSE T0.4A,50V
△	F7301	NMFZ010-R50X-A	FUSE T0.5A
	OT1	LY30016-049A	SPACER-A
	OT2	PU59915-105	#500SPACER0.01
	SD1	LY43421-001A	SHIELD PLATE

CCD BOARD ASSEMBLY <02>

PW2	YB10356A2-01	CCD BOARD ASSY
Q5301	2SC3931/CD/-X	TRANSISTOR
	or 2SC4774/RS/-X	TRANSISTOR
R5301	NRSA63J-105X	MG RESISTOR 1MΩ,1/16W
R5302	NRSA63J-562X	MG RESISTOR 5.6kΩ,1/16W
C5301	NCF31EZ-104X	CAPACITOR 0.1μF,25V
C5302	NBP21EM-155X	T CAPACITOR 1.5μF,25V
C5303	NCB31HK-152X	CAPACITOR 0.0015μF,50V
C5304	NCF31EZ-104X	CAPACITOR 0.1μF,25V
C5305	NDC31HJ-270X	CAPACITOR 27pF,50V
CN5301	QGF0505F1-14X	FPC CONNECTOR

MONITOR BOARD ASSEMBLY <07>

PW	YB20913D	MONITOR BOARD ASSY,SXM340U
	YB20913F	MONITOR BOARD ASSY,SXM740U
IC7601	MN5814	IC
IC7602	BA4558F	IC
IC7603	SN74AHC1G04K	IC,SXM340U
Q7501	2SD1664/QR/-W	TRANSISTOR
Q7502	2SD1664/QR/-W	TRANSISTOR
Q7503	DTA144EE	TRANSISTOR
	or RN2104	TRANSISTOR
	or UN9113J	TRANSISTOR
Q7504	DTC144EE	TRANSISTOR
	or RN1104	TRANSISTOR
	or UN9213J	TRANSISTOR
Q7601	2SC4617/QR/-X	TRANSISTOR
Q7602	2SA1774/QR/-X	TRANSISTOR

#	△ REF No.	PART No.	PART NAME, DESCRIPTION
		Q7603	2SC4617/QR/-X TRANSISTOR
		Q7604	2SA1774/QR/-X TRANSISTOR
		Q7606	DTA144EE TRANSISTOR
			or RN2104 TRANSISTOR
			or UN9113J TRANSISTOR
		Q7607	DTC144EE TRANSISTOR
			or UN9213J TRANSISTOR
			or RN1104 TRANSISTOR
		D7601	MA365 VARI CAP DIODE
		D7602	RB471E SB DIODE
		D7603	UDZS5.1B ZENER DIODE
		R7501	NRSA63J-102X MG RESISTOR 1kΩ,1/16W
		R7502	NRSA63J-102X MG RESISTOR 1kΩ,1/16W
		R7503	NRSA63J-102X MG RESISTOR 1kΩ,1/16W
		R7601	NRSA63D-103X MG RESISTOR 10kΩ,1/16W
		R7602	NRSA63D-432X MG RESISTOR,SXM740U 4.3kΩ,1/16W
			NRSA63D-752X MG RESISTOR,SXM340U 7.5kΩ,1/16W
		R7603	NRSA63D-333X MG RESISTOR 33kΩ,1/16W
		R7604	NRSA63J-123X MG RESISTOR 12kΩ,1/16W
		R7605	NRSA63J-123X MG RESISTOR 12kΩ,1/16W
		R7606	NRSA63D-153X MG RESISTOR 15kΩ,1/16W
		R7607	NRSA63D-153X MG RESISTOR,SXM740U 15kΩ,1/16W
			NRSA63D-822X MG RESISTOR,SXM340U 8.2kΩ,1/16W
		R7608	NRSA63J-682X MG RESISTOR 6.8kΩ,1/16W
		R7610	NRSA63J-104X MG RESISTOR 100kΩ,1/16W
		R7611	NRSA63J-223X MG RESISTOR 22kΩ,1/16W
		R7612	NRSA63J-474X MG RESISTOR 470kΩ,1/16W
		R7613	NRSA63J-103X MG RESISTOR 10kΩ,1/16W
		R7615	NRSA63J-0R0X MG RESISTOR 0Ω,1/16W
		R7617	NRSA63J-0R0X MG RESISTOR 0Ω,1/16W
		R7619	NRSA63J-0R0X MG RESISTOR 0Ω,1/16W
		R7621	NRSA63J-102X MG RESISTOR 1kΩ,1/16W
		R7622	NRSA63J-0R0X MG RESISTOR,SXM740U 0Ω,1/16W
		R7624	NRSA63J-102X MG RESISTOR 1kΩ,1/16W
		R7625	NRSA63J-0R0X MG RESISTOR 0Ω,1/16W
		R7628	NRSA63J-470X MG RESISTOR 47Ω,1/16W
		R7629	NRSA63J-470X MG RESISTOR 47Ω,1/16W
		R7630	NRSA63J-470X MG RESISTOR 47Ω,1/16W
		R7631	NRSA63J-0R0X MG RESISTOR 0Ω,1/16W
		R7632	NRSA02J-0R0X MG RESISTOR 0Ω,1/10W
		R7635	NRSA63J-223X MG RESISTOR 22kΩ,1/16W
		R7636	NRSA63J-223X MG RESISTOR 22kΩ,1/16W
		R7637	NRSA63J-682X MG RESISTOR,SXM740U 6.8kΩ,1/16W
			NRSA63J-223X MG RESISTOR,SXM340U 22kΩ,1/16W
		R7638	NRSA63J-223X MG RESISTOR 22kΩ,1/16W
		R7639	NRSA63J-223X MG RESISTOR 22kΩ,1/16W
		R7640	NRSA02J-122X MG RESISTOR,SXM740U 1.2kΩ,1/10W
			NRSA02J-182X MG RESISTOR,SXM340U 1.8kΩ,1/10W
		R7641	NRSA02J-331X MG RESISTOR,SXM340U 330Ω,1/10W
			NRSA02J-821X MG RESISTOR,SXM740U 820Ω,1/10W
		R7642	NRSA63J-0R0X MG RESISTOR,SXM740U 0Ω,1/16W
		R7643	NRSA63J-123X MG RESISTOR,SXM740U 12kΩ,1/16W
		R7644	NRSA63J-123X MG RESISTOR,SXM740U 12kΩ,1/16W
		R7645	NRSA63J-123X MG RESISTOR,SXM740U 12kΩ,1/16W
			NRSA63J-682X MG RESISTOR,SXM340U 6.8kΩ,1/16W
		R7646	NRSA63J-222X MG RESISTOR,SXM740U 2.2kΩ,1/16W
			NRSA63J-392X MG RESISTOR,SXM340U 3.9kΩ,1/16W
		R7648	NRSA63J-103X MG RESISTOR 10kΩ,1/16W
		R7650	NRSA63J-103X MG RESISTOR 10kΩ,1/16W
		R7651	NRSA63J-0R0X MG RESISTOR 0Ω,1/16W
		C7501	NCZ1016-120X CAPACITOR 12pF,2kV
		C7502	NCB21EK-273X CAPACITOR 0.027μF,25V
		C7503	NCB31EK-103X CAPACITOR 0.01μF,25V

#	△ REF No.	PART No.	PART NAME, DESCRIPTION	#	△ REF No.	PART No.	PART NAME, DESCRIPTION
C7504		NCB10JK-106X	CAPACITOR 10μF,6.3V	R7016		NRSA02J-122X	MG RESISTOR 1.2kΩ,1/10W
C7601		NBE20JM-106X	T CAPACITOR 10μF,6.3V	R7017		NRSA02J-472X	MG RESISTOR 4.7kΩ,1/10W
C7602		NCB31EK-103X	CAPACITOR 0.01μF,25V	R7018		NRSA02J-223X	MG RESISTOR 22kΩ,1/10W
C7606		NCB31EK-103X	CAPACITOR 0.01μF,25V	R7019		NRSA02J-120X	MG RESISTOR 12Ω,1/10W
C7607		NBP41EM-475X	T CAPACITOR 4.7μF,25V	R7020		NRSA02J-685X	MG RESISTOR 6.8MΩ,1/10W
C7608		NCB31EK-103X	CAPACITOR 0.01μF,25V	R7021		NRSA02J-475X	MG RESISTOR 4.7MΩ,1/10W
C7609		NBP41CM-106X	T CAPACITOR 10μF,16V	R7022		NRSA02J-475X	MG RESISTOR 4.7MΩ,1/10W
C7610		NDC31HJ-330X	CAPACITOR 33pF,50V	R7023		NRSA02J-564X	MG RESISTOR 560kΩ,1/10W
C7611		NCB31EK-103X	CAPACITOR 0.01μF,25V	R7024		NRSA02J-105X	MG RESISTOR 1MΩ,1/10W
C7612		NCB31EK-103X	CAPACITOR 0.01μF,25V	R7025		NRSA02J-275X	MG RESISTOR 2.7MΩ,1/10W
C7613		NCB31EK-103X	CAPACITOR 0.01μF,25V	R7026		NRSA02J-275X	MG RESISTOR 2.7MΩ,1/10W
C7614		NCB21CK-334X	CAPACITOR 0.33μF,16V	VR7001		NVP0001-221X	TRIM RESISTOR,V.SIZE
C7615		NDC31HJ-331X	CAPACITOR 330pF,50V	VR7002		NVP0001-225X	TRIM RESISTOR,BRIGHT
C7616		NDC31HJ-330X	CAPACITOR 33pF,50V	VR7003		PERE0595-565	V RESISTOR,FOCUS
C7617		NDC31HJ-220X	CAPACITOR 22pF,50V	C7001		QFV11HJ-104A	F CAPACITOR 0.1μF,50V
C7618		NCB31EK-103X	CAPACITOR 0.01μF,25V	C7002		QEDP1AM-227	E CAPACITOR 220μF,10V
C7619		NDC31HJ-270X	CAPACITOR 27pF,50V	C7003		QEDP1AM-227	E CAPACITOR 220μF,10V
C7620		NDC31HJ-270X	CAPACITOR 27pF,50V	C7004		QEDP1AM-227	E CAPACITOR 220μF,10V
C7621		NCB31EK-103X	CAPACITOR 0.01μF,25V	C7005		NCF21CZ-105X	CAPACITOR 1μF,16V
C7622		NCB11CK-225X	CAPACITOR 2.2μF,16V	C7006		NCB21HK-152X	CAPACITOR 0.0015μF,50V
C7623		NCB31EK-682X	CAPACITOR,SXM340U 0.0068μF,25V	C7007		NCB11CK-105X	CAPACITOR 1μF,16V
C7624		NCB31EK-103X	CAPACITOR 0.01μF,25V	C7008		NCF21CZ-105X	CAPACITOR 1μF,16V
C7625		NCB31EK-103X	CAPACITOR 0.01μF,25V	C7009		PECA1131-A107	E CAPACITOR 100μF,10V
C7626		NBP41EM-475X	T CAPACITOR 4.7μF,25V	C7010		CM316UJ472J100A	CAPACITOR
C7627		NCB31EK-103X	CAPACITOR,SXM340U 0.01μF,25V	C7011		NDC21HJ-180X	CAPACITOR 18pF,50V
C7630		NCB31EK-103X	CAPACITOR,SXM740U 0.01μF,25V	C7012		QKCC1HM-105Z	E CAPACITOR 1μF,50V
L7501		NQLZ010-680X	COIL 68μH	C7013		NCF21HZ-104X	CAPACITOR 0.1μF,50V
L7502		NQL03BK-100X	COIL 10μH	C7014		NCF21HZ-104X	CAPACITOR 0.1μF,50V
L7601		NQL38DK-220X	COIL 22μH	C7015		QCZ0212-151	CAPACITOR 150pF,1kV
L7603		NQL38DK-220X	COIL,SXM740U 22μH	C7016		PECA1006	CAPACITOR 330pF,500V
L7604		NQL38DK-220X	COIL,SXM340U 22μH	L7001		QQR0970-001	LINEARITY COIL
L7605		NQL085J-4R7X	COIL 4.7μH	L7002		PU49994-220	COIL 22μH
T7501		NQS0056-001X	SW TRANSFORMER	L7003		PELN1101-680JY	COIL 68μH
CN7601		QGF0503F2-25X	FFC/FPC CONNECTOR	△ T7001		QQH0011-002	FB TRANSF
CN7602		QGF0508F1-24X	FPC CONNECTOR	CN7001		B4B-ZR	CAP HOUSING
△ F7501		NMFZ007-R40X-K	FUSE T0.4A,50V	CN7002		WJK0095-002A	WIRE ASSY

ELECTRONIC VIEWFINDER BOARD ASSEMBLY <60>

PW	LY41289-005A	ELECTRONIC VIEWFINDER BOARD ASSY
IC7001	BA7149F-XE	IC
Q7001	2SD968A(RS)	PH TRANSISTOR
Q7002	2SA1748(QR)	PH TRANSISTOR
Q7003	2SA1748(QR)	PH TRANSISTOR
D7001	MA142WA	SI DIODE
R7002	NRSA02J-3R9X	MG RESISTOR 3.9Ω,1/10W
R7003	NRVA02D-153X	CMF RESISTOR 15kΩ,1/10W
R7005	NRSA02J-102X	MG RESISTOR 1kΩ,1/10W
R7006	NRSA02J-113X	MG RESISTOR 11kΩ,1/10W
R7007	NRSA02J-330X	MG RESISTOR 33Ω,1/10W
R7008	NRSA02J-394X	MG RESISTOR 390kΩ,1/10W
R7009	NRSA02J-103X	MG RESISTOR 10kΩ,1/10W
R7010	NRVA02D-104X	CMF RESISTOR 100kΩ,1/10W
R7011	NRSA02J-223X	MG RESISTOR 22kΩ,1/10W
R7012	NRSA02J-221X	MG RESISTOR 220Ω,1/10W
R7013	NRSA02J-102X	MG RESISTOR 1kΩ,1/10W
R7014	NRSA02J-472X	MG RESISTOR 4.7kΩ,1/10W
R7015	NRSA02J-223X	MG RESISTOR 22kΩ,1/10W